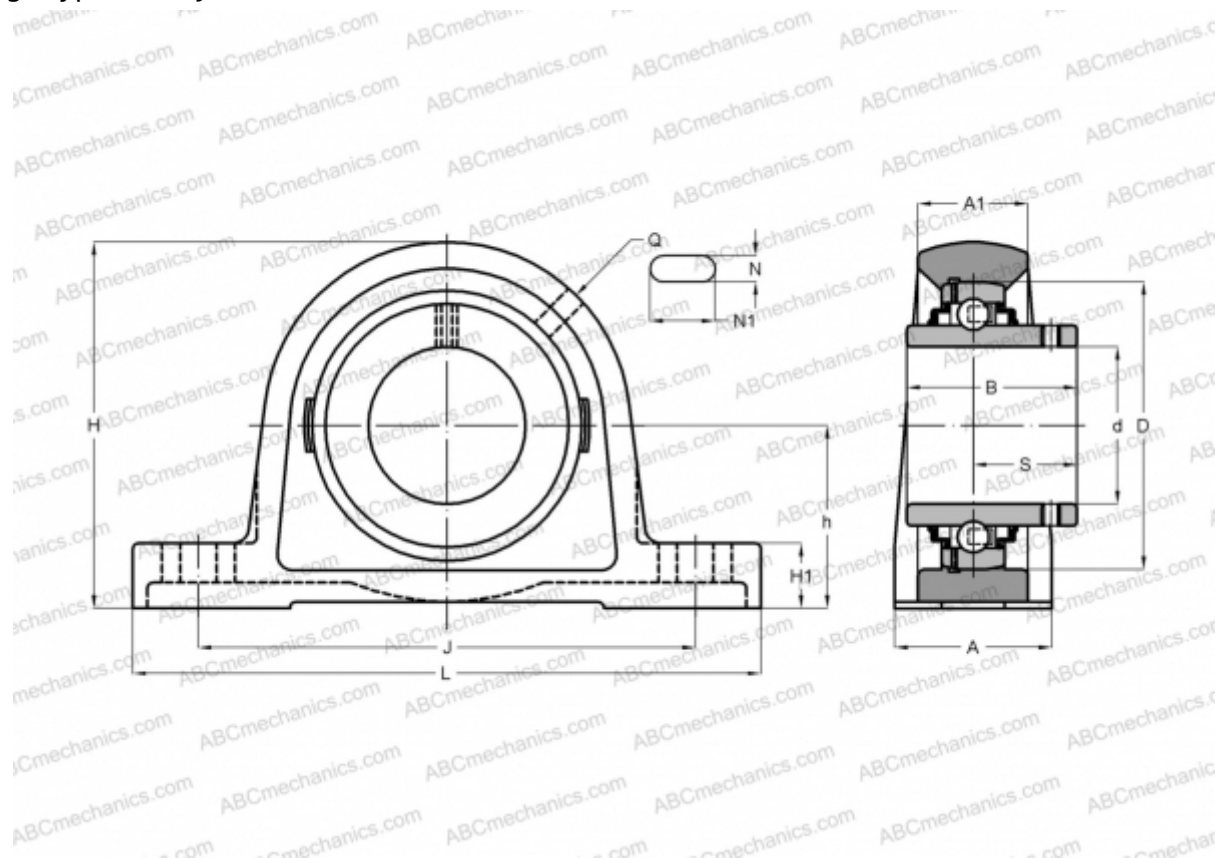


SYJ 100 TF SKF

Ball bearing units

TYPE: Housing units, Plummer block, Cast iron housing, Radial insert ball bearing with grub screws in inner ring, Type SY/SYJ..TF (SKF)



Technical specification

DIMENSIONS, MM

d	100,000
D	180,000
B	98,400
L	380,000
H	226,000
A	95,000
J	308,000
A1	57,000
H1	38,000
N	26,000
N1	48,000
S	63,400
h	115,000

WEIGHT, KG 19,000

Bearing	YAR 220-2F
Housing	SYJ 520

MANUFACTURER

[SKF](#)

CALCULATION DATA

Basic dynamic load rating, C	124,000 kN
Basic static load rating, Co	93,000 kN
Fatigue load limit, Pu	3,350 kN
Limiting speed	1900 r/min