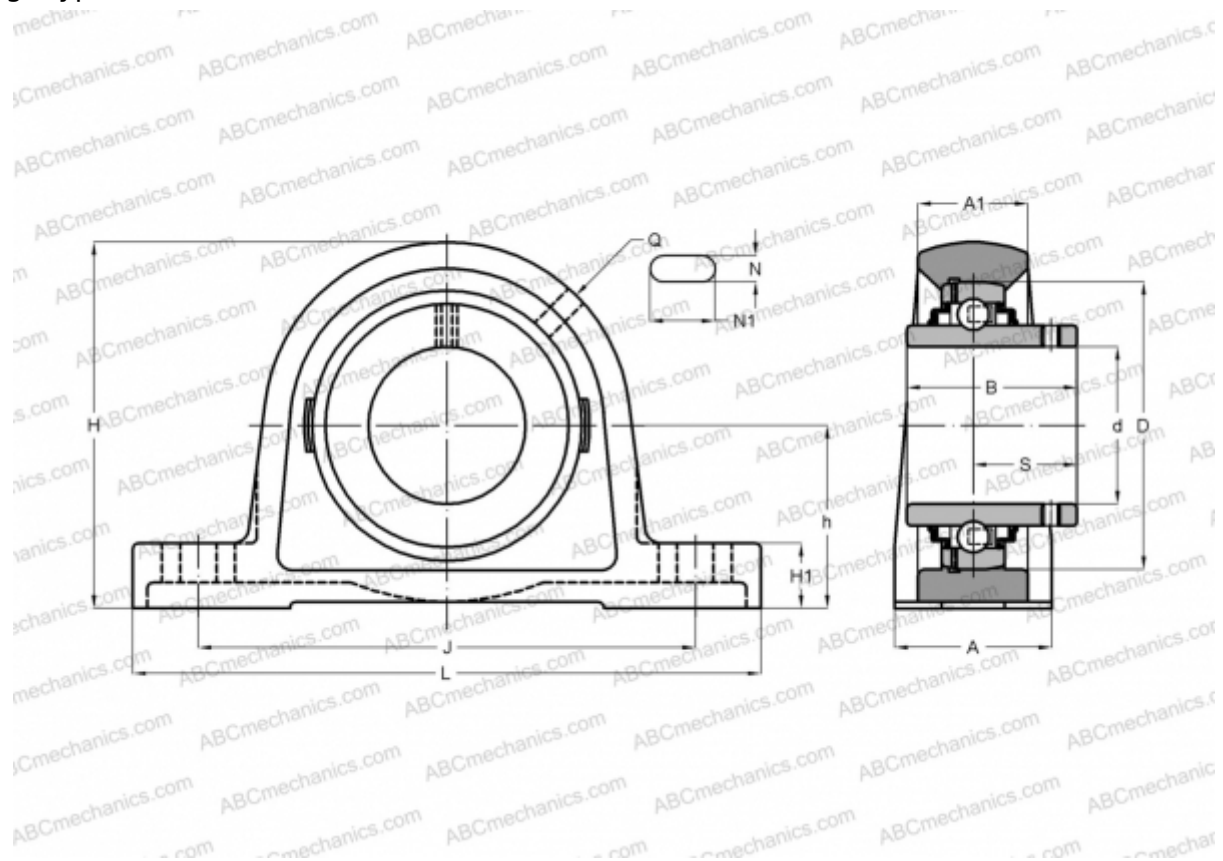


## SY 50 TR SKF

Ball bearing units

TYPE: Housing units, Plummer block, Cast iron housing, Radial insert ball bearing with grub screws in inner ring, Type SY..TR (SKF)



### Technical specification

#### DIMENSIONS, MM

d	50,000
D	90,000
B	51,600
L	203,000
H	114,500
A	54,000
J	157,000
A1	34,000
H1	22,000
N	18,000
N1	26,000
S	32,600
h	57,200

**WEIGHT, KG** 2,700

Bearing	YAR 210-2RF
Housing	SY 510 M
Protective cover	ECY 210

#### MANUFACTURER

[SKF](#)

#### CALCULATION DATA

Basic dynamic load rating, C	35,100 kN
Basic static load rating, Co	23,200 kN
Fatigue load limit, Pu	0,980 kN
Limiting speed	2200 r/min