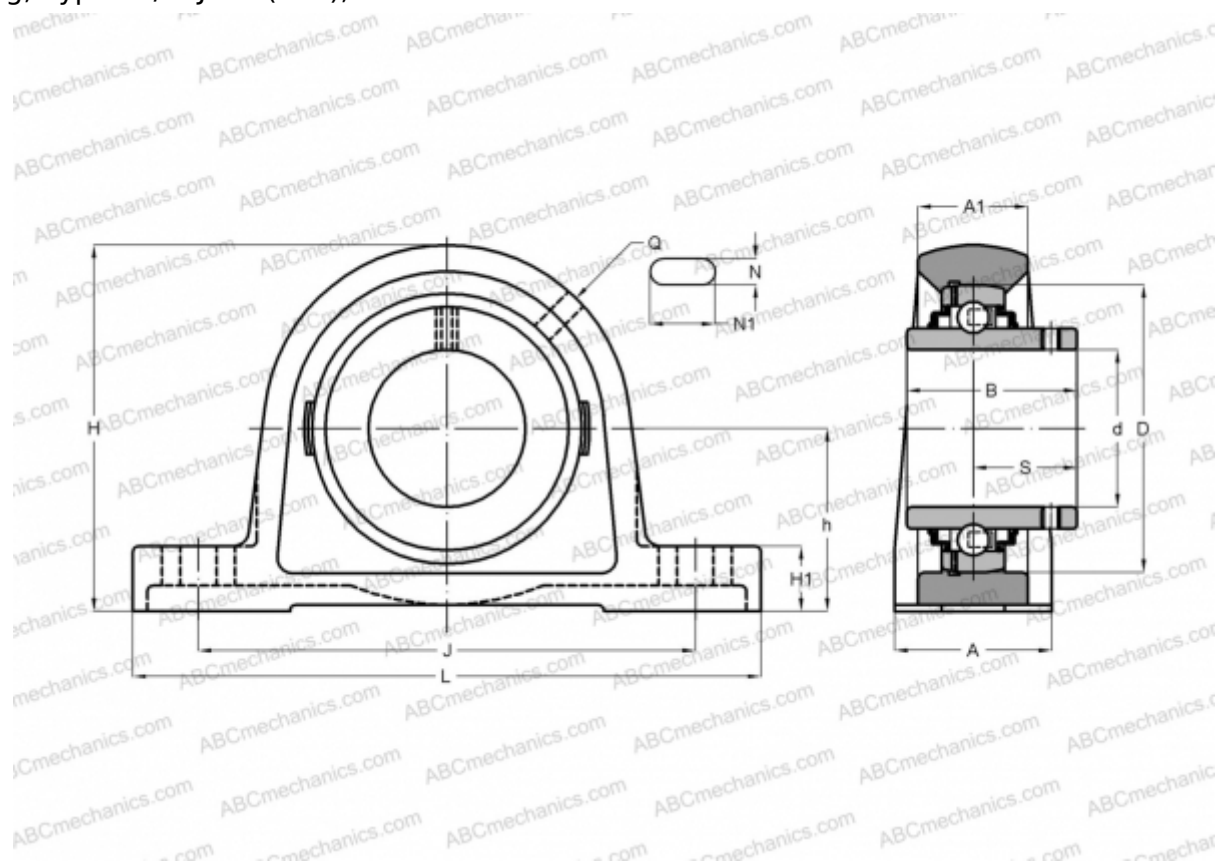


SY 15/16 TF SKF

Ball bearing units

TYPE: Housing units, Plummer block, Cast iron housing, Radial insert ball bearing with grub screws in inner ring, Type SY/SYJ..TF (SKF), inch



Technical specification

DIMENSIONS, MM

d	23,813
D	52,000
B	34,100
L	130,000
H	70,000
A	36,000
J	102,000
A1	22,000
H1	16,000
N	11,500
N1	19,500
S	19,800
h	36,500

WEIGHT, KG 0,780

Bearing	YAR 205-015-
Housing	SY 505 U

MANUFACTURER

[SKF](http://www.skf.com)

CALCULATION DATA

Basic dynamic load rating, C	14,000 kN
Basic static load rating, Co	7,800 kN
Fatigue load limit, Pu	0,335 kN
Limiting speed	7000 r/min