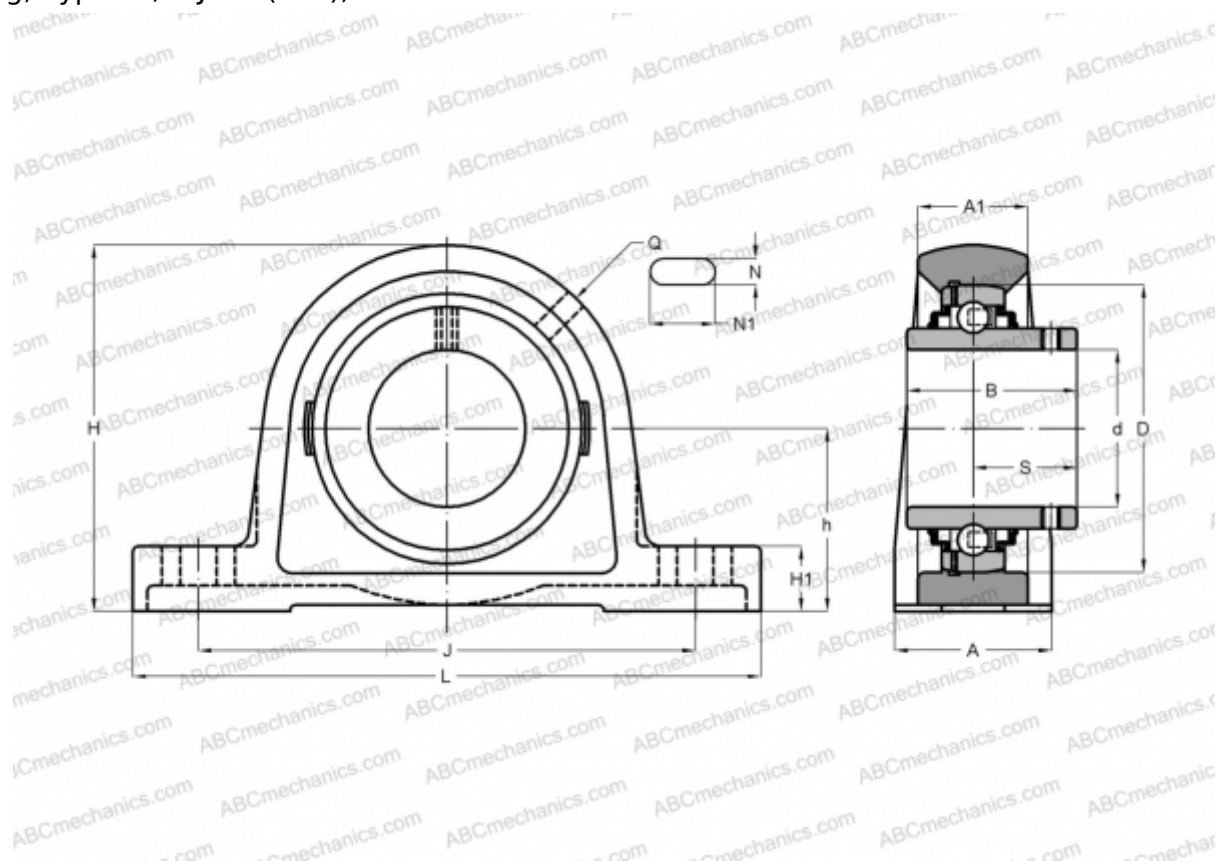


SY 1.1/8 TF SKF

Ball bearing units

TYPE: Housing units, Plummer block, Cast iron housing, Radial insert ball bearing with grub screws in inner ring, Type SY/SYJ..TF (SKF), inch



Technical specification

DIMENSIONS, MM

d	28,575
D	62,000
B	38,100
L	152,000
H	82,000
A	40,000
J	117,500
A1	25,000
H1	16,500
N	14,000
N1	23,500
S	22,200
h	49,200

WEIGHT, KG 1,200

Bearing	YAR 206-102-
Housing	SY 506 U

MANUFACTURER

[SKF](#)

CALCULATION DATA

Basic dynamic load rating, C	19,500 kN
Basic static load rating, Co	11,200 kN
Fatigue load limit, Pu	0,475 kN
Limiting speed	6300 r/min