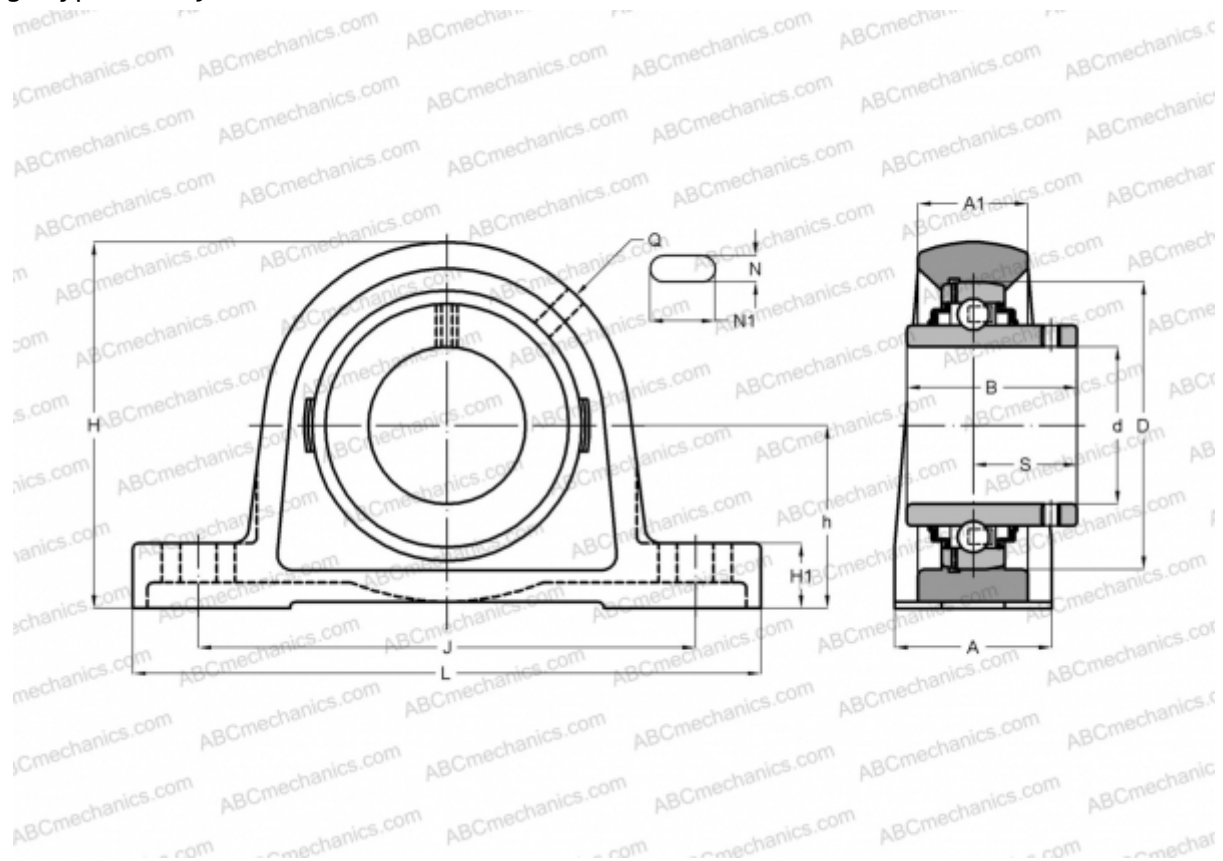


SYM 2.3/16 TF SKF

Ball bearing units

TYPE: Housing units, Plummer block, Cast iron housing, Radial insert ball bearing with grub screws in inner ring, Type SY/SYJ..TF (SKF), inch



Technical specification

DIMENSIONS, MM

d	55,563
D	110,000
B	65,100
L	240,000
H	139,500
A	60,000
J	190,500
A1	42,000
H1	26,000
N	18,000
N1	29,500
S	39,700
h	69,900

WEIGHT, KG 5,450

Bearing	YAR 212-203-
Housing	SY 512 U

MANUFACTURER

[SKF](#)

CALCULATION DATA

Basic dynamic load rating, C	52,700 kN
Basic static load rating, Co	36,000 kN
Fatigue load limit, Pu	1,530 kN
Limiting speed	3400 r/min