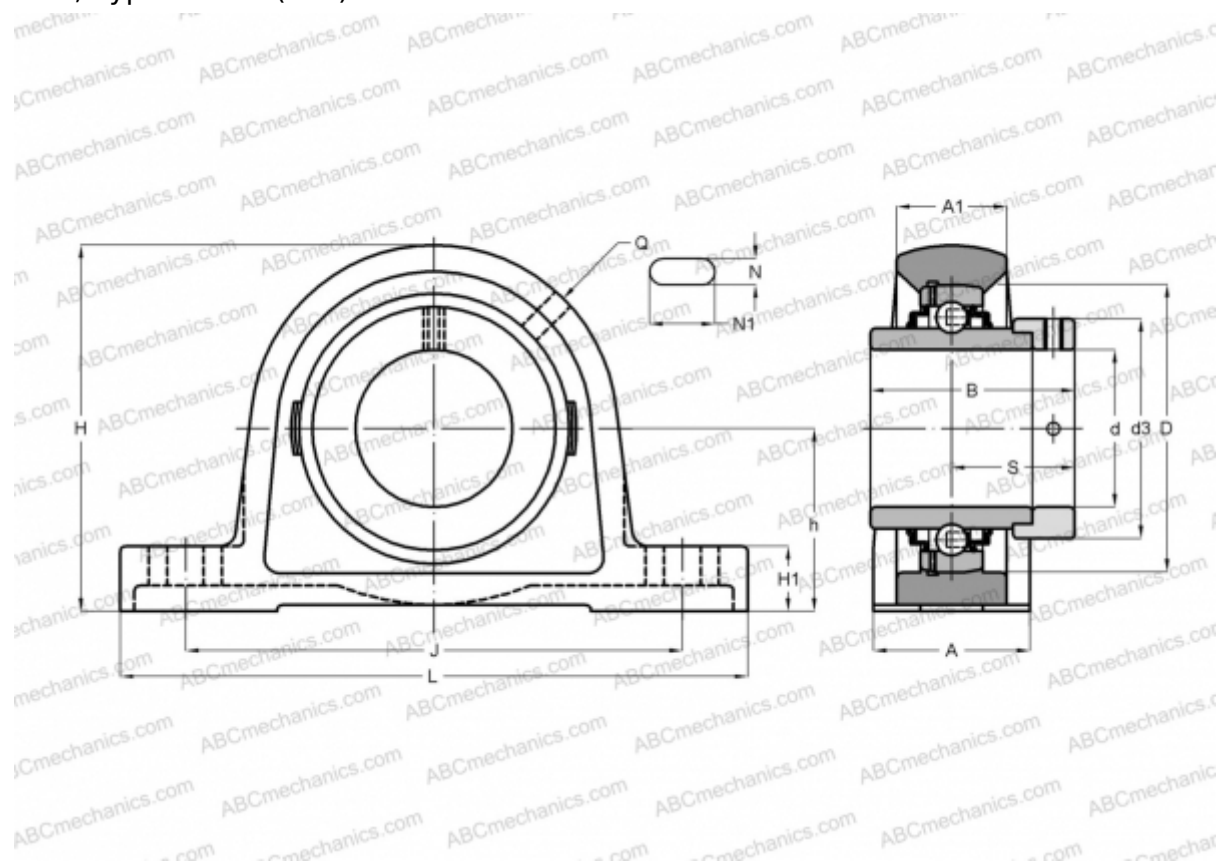


## SY 40 WF SKF

Ball bearing units

TYPE: Housing units, Plummer block, Cast iron housing, Radial insert ball bearing with eccentric locking collar, Type SY..WF (SKF)



### Technical specification

#### DIMENSIONS, MM

d	40,000
D	80,000
B	56,300
L	175,000
H	99,000
A	48,000
J	135,500
A1	30,000
H1	19,000
N	14,000
N1	24,500
S	34,900
h	49,200

**WEIGHT, KG** 1,950

Bearing	YEL 208-2F
Housing	SY 508 M
Protective cover	ECY 208

#### MANUFACTURER

[SKF](#)

#### CALCULATION DATA

Basic dynamic load rating, C	30,700 kN
Basic static load rating, Co	19,000 kN
Fatigue load limit, Pu	0,800 kN
Limiting speed	4800 r/min