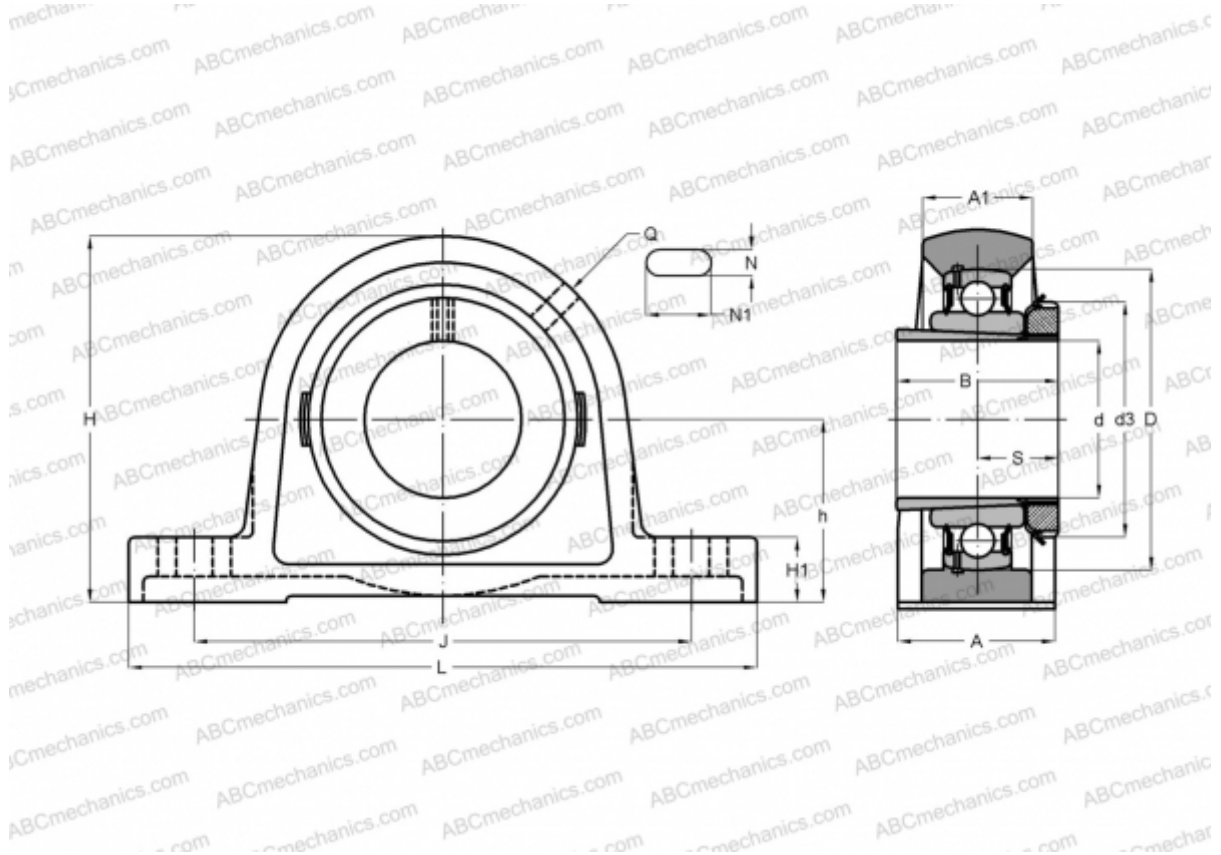


SYJ 55 KF SKF

Ball bearing units

TYPE: Housing units, Plummer block, Cast iron housing, Radial insert ball bearing with adapter sleeve, Type SYJ..KF (SKF), inch



Technical specification

DIMENSIONS, MM

d	50,800
D	100,000
B	59,000
L	219,000
H	126,000
A	60,000
J	171,500
A1	40,000
H1	24,000
N	20,000
N1	27,500
S	32,500
h	63,500

WEIGHT, KG 3,850

Bearing	YSA 211-2FK
Housing	SYJ 511
Adapter sleeve	HE 2311 B

MANUFACTURER

[SKF](#)

CALCULATION DATA

Basic dynamic load rating, C	43,600 kN
Basic static load rating, Co	29,000 kN
Fatigue load limit, Pu	1,250 kN
Limiting speed	3600 r/min