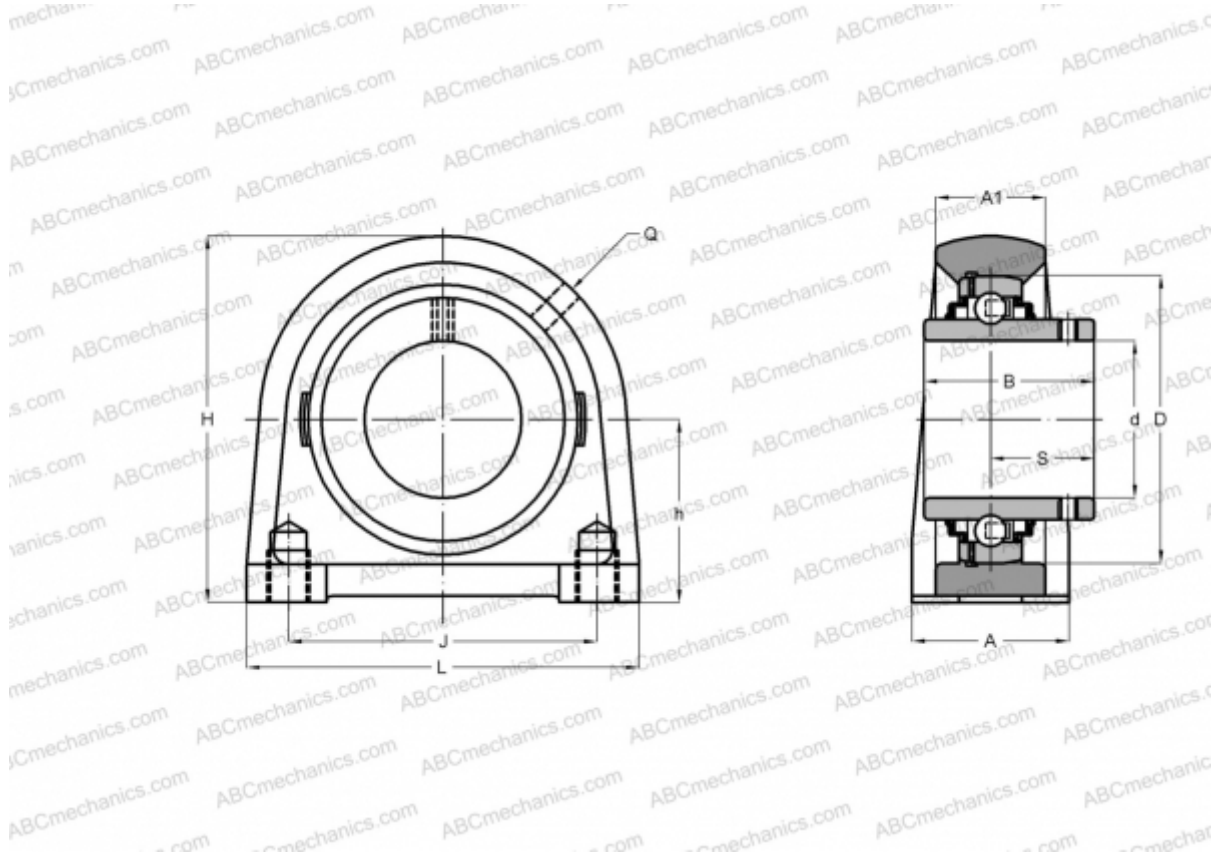


## SYF 30 TF SKF

Ball bearing units

TYPE: Housing units, Plummer block, Narrow cast iron housing, Radial insert ball bearing with grub screws in inner ring, Type SYF/SYFJ..TF (SKF)



### Technical specification

#### DIMENSIONS, MM

|    |        |
|----|--------|
| d  | 30,000 |
| D  | 62,000 |
| B  | 38,100 |
| L  | 98,000 |
| H  | 83,000 |
| A  | 40,000 |
| J  | 76,200 |
| A1 | 25,000 |
| S  | 22,200 |
| h  | 42,900 |

#### WEIGHT, KG

0,900

|         |            |
|---------|------------|
| Bearing | YAR 206-2F |
| Housing | SYF 506    |

#### MANUFACTURER

[SKF](#)

#### CALCULATION DATA

|                              |            |
|------------------------------|------------|
| Basic dynamic load rating, C | 19,500 kN  |
| Basic static load rating, Co | 11,200 kN  |
| Fatigue load limit, Pu       | 0,475 kN   |
| Limiting speed               | 6300 r/min |