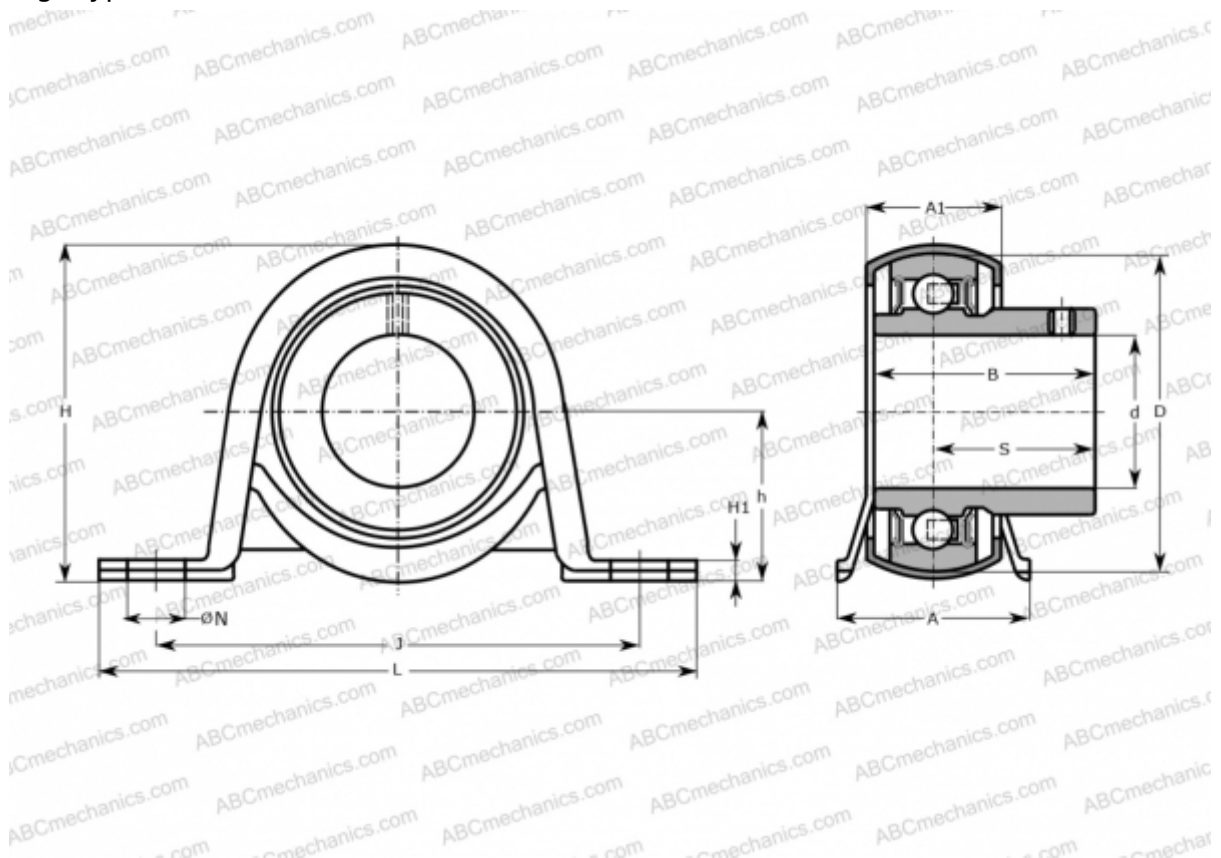


## P 45 TR SKF

Ball bearing units

TYPE: Housing units, Plummer block, Sheet steel housing, Radial insert ball bearing with grub screws in inner ring, Type P..TR (SKF)



### Technical specification

#### DIMENSIONS, MM

d	45,000
D	85,000
B	49,200
L	156,000
H	92,000
A	45,000
J	128,000
A1	31,000
H1	6,000
N	14,000
S	30,200
h	46,400

#### WEIGHT, KG

1,000

Bearing

YAR 209-2RF

Housing

P 85

#### MANUFACTURER

[SKF](http://www.skf.com)

#### CALCULATION DATA

Basic dynamic load rating, C	33,200 kN
Basic static load rating, Co	21,600 kN
Fatigue load limit, Pu	0,915 kN