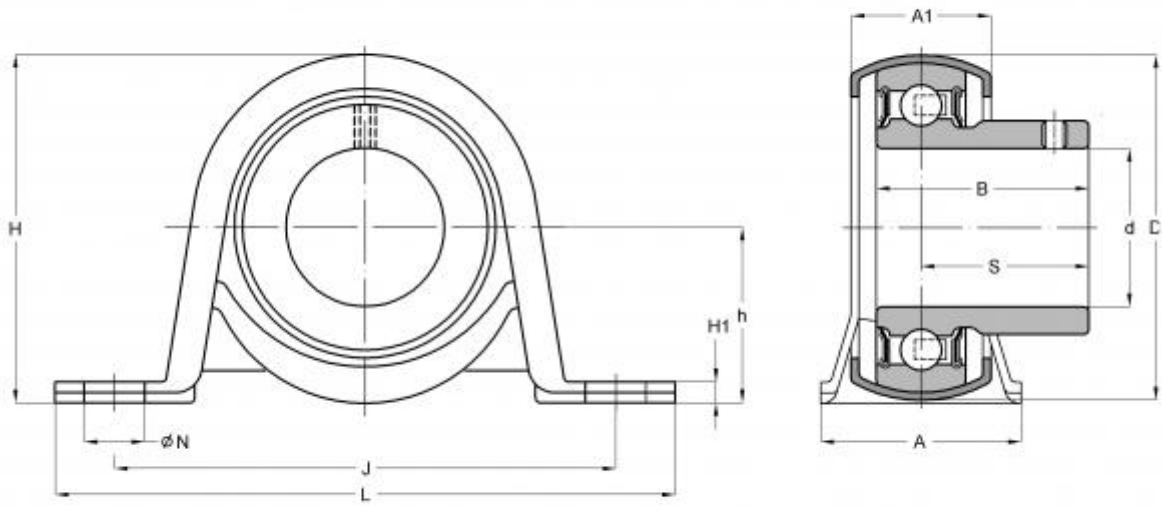


## P 35 RM SKF

Ball bearing units

TYPE: Housing units, Plummer block, Sheet steel housing, Radial insert ball bearing with grub screws in inner ring, Type P..RM (SKF)



### Technical specification

#### DIMENSIONS, MM

d	35,000
D	72,000
B	33,000
L	130,000
H	78,000
A	41,000
J	106,000
A1	27,000
H1	5,000
N	11,200
S	23,300
h	39,200

**WEIGHT, KG** 0,570

Bearing	YAT 207
Housing	P 72

#### MANUFACTURER

[SKF](#)

#### CALCULATION DATA

Basic dynamic load rating, C	25,500 kN
Basic static load rating, Co	15,300 kN
Fatigue load limit, Pu	0,655 kN