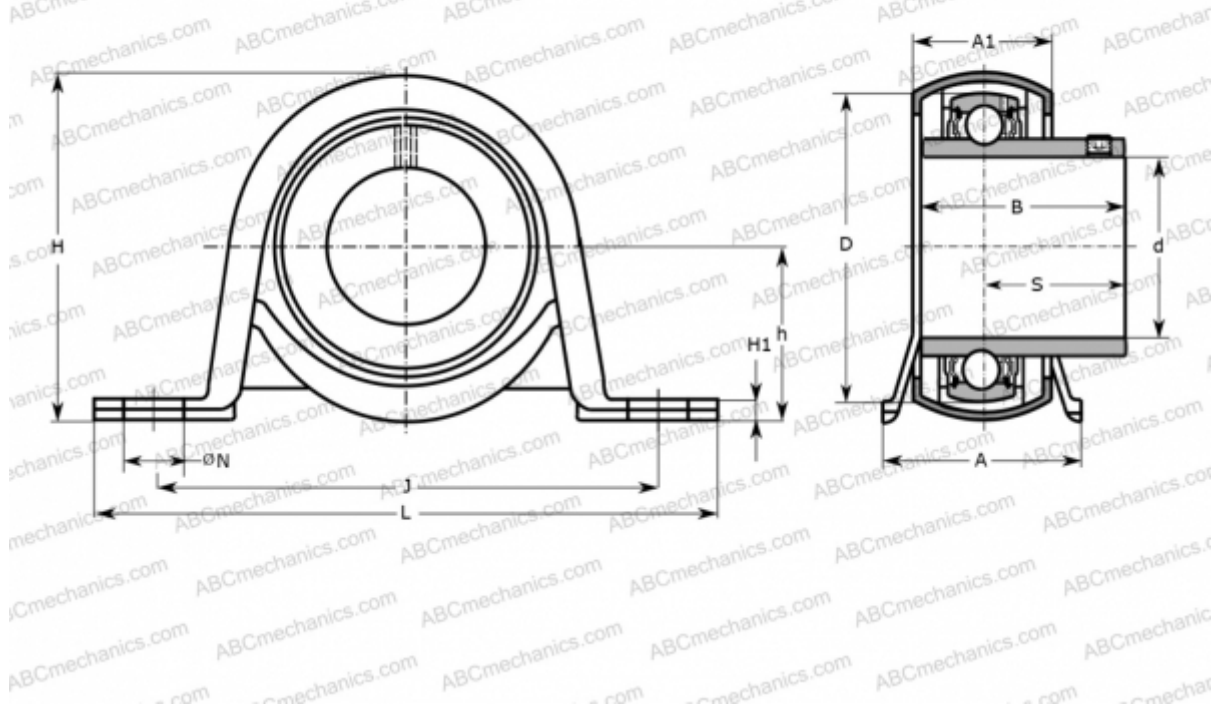


## P 72 R-30 TF SKF

Ball bearing units

TYPE: Housing units, Plummer block, Sheet steel housing, Radial insert ball bearing with eccentric locking collar and rubber interliner, Type P..R..TF (SKF)



### Technical specification

#### DIMENSIONS, MM

d	30,000
D	62,000
B	38,100
L	130,000
H	78,000
A	41,000
J	106,000
A1	27,000
H1	5,000
N	11,200
S	22,200
h	39,200

**WEIGHT, KG** 0,580

Bearing	YAR 206-2F
Housing	P 72
Seal	RIS 206

#### MANUFACTURER

[SKF](#)

#### CALCULATION DATA

Basic dynamic load rating, C	19,500 kN
Basic static load rating, Co	11,200 kN
Fatigue load limit, Pu	0,475 kN