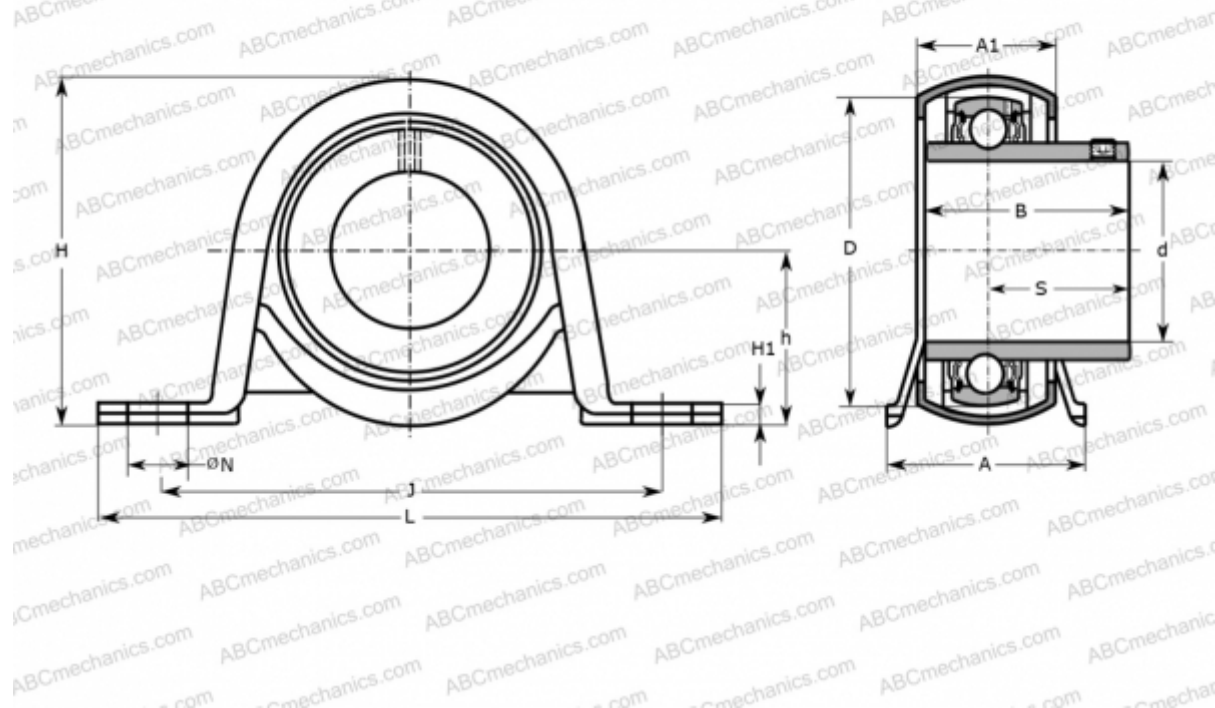


P 80 R-35 TF SKF

Ball bearing units

TYPE: Housing units, Plummer block, Sheet steel housing, Radial insert ball bearing with eccentric locking collar and rubber interliner, Type P..R..TF (SKF)



Technical specification

DIMENSIONS, MM

d	35,000
D	72,000
B	42,900
L	148,000
H	86,000
A	43,000
J	120,000
A1	29,000
H1	5,000
N	14,000
S	25,400
h	43,500

WEIGHT, KG 0,740

Bearing	YAR 207-2F
Housing	P 80
Seal	RIS 207

MANUFACTURER

[SKF](#)

CALCULATION DATA

Basic dynamic load rating, C	25,500 kN
Basic static load rating, Co	15,300 kN
Fatigue load limit, Pu	0,655 kN