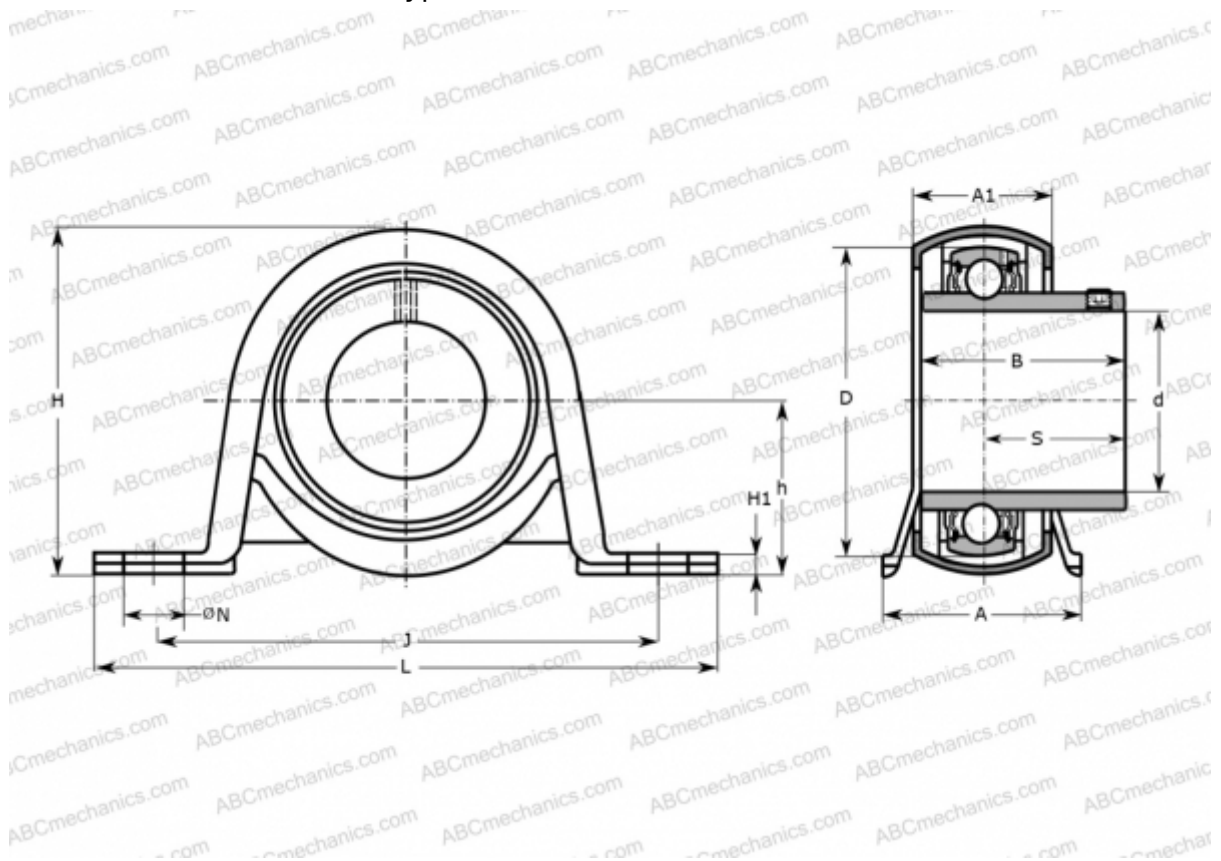


## P 85 R-40 TF SKF

Ball bearing units

TYPE: Housing units, Plummer block, Sheet steel housing, Radial insert ball bearing with eccentric locking collar and rubber interliner, Type P..R..TF (SKF)



### Technical specification

#### DIMENSIONS, MM

|    |         |
|----|---------|
| d  | 40,000  |
| D  | 80,000  |
| B  | 49,200  |
| L  | 156,000 |
| H  | 92,000  |
| A  | 45,000  |
| J  | 128,000 |
| A1 | 31,000  |
| H1 | 6,000   |
| N  | 14,000  |
| S  | 30,200  |
| h  | 46,400  |

**WEIGHT, KG** 1,050

|         |            |
|---------|------------|
| Bearing | YAR 208-2F |
| Housing | P 85       |
| Seal    | RIS 208    |

#### MANUFACTURER

[SKF](#)

#### CALCULATION DATA

|                              |           |
|------------------------------|-----------|
| Basic dynamic load rating, C | 30,700 kN |
| Basic static load rating, Co | 19,000 kN |
| Fatigue load limit, Pu       | 0,800 kN  |