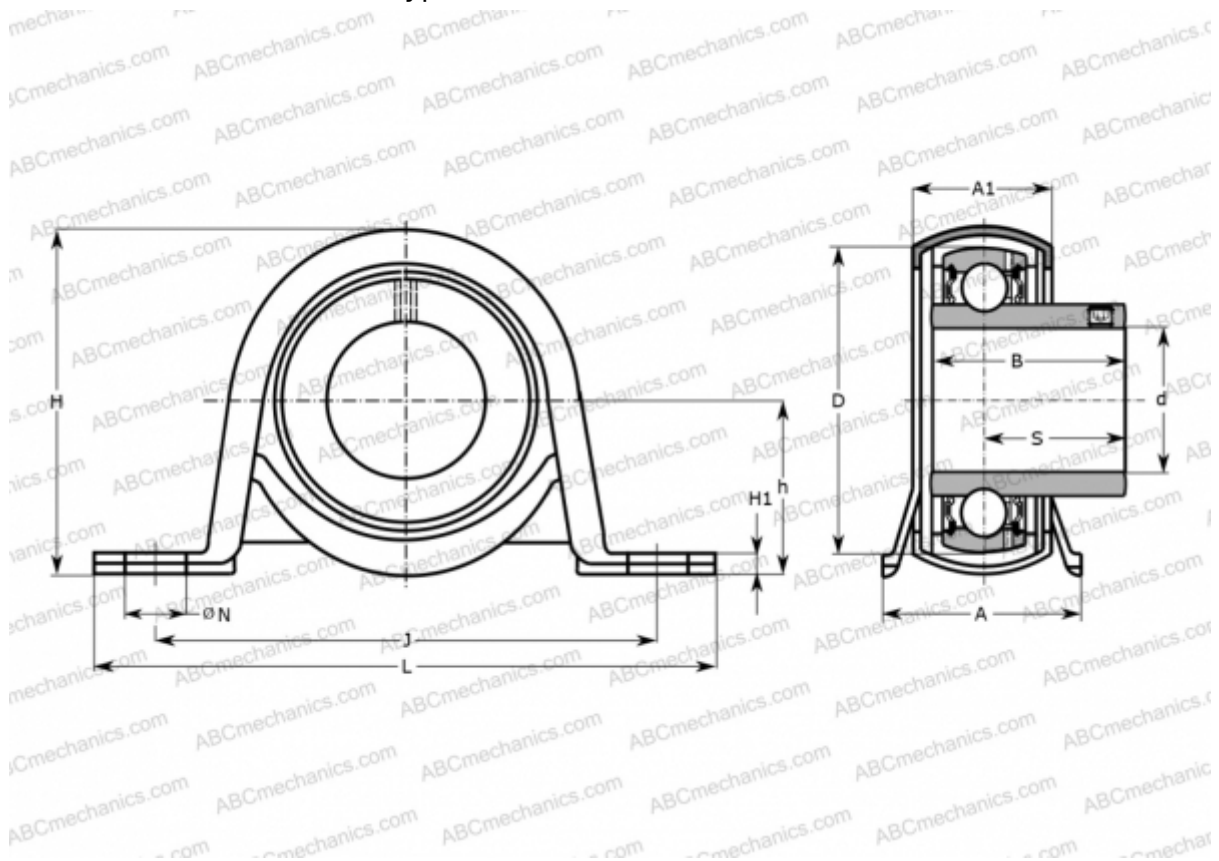


P 85 R-40 RM SKF

Ball bearing units

TYPE: Housing units, Plummer block, Sheet steel housing, Radial insert ball bearing with eccentric locking collar and rubber interliner, Type P..R..RM (SKF)



Technical specification

DIMENSIONS, MM

d	40,000
D	80,000
B	36,000
L	156,000
H	92,000
A	45,000
J	128,000
A1	31,000
H1	6,000
N	14,000
S	25,300
h	46,400

WEIGHT, KG 0,930

Bearing	YAT 208
Housing	P 85
Seal	RIS 208

MANUFACTURER

[SKF](#)

CALCULATION DATA

Basic dynamic load rating, C	30,700 kN
Basic static load rating, Co	19,000 kN
Fatigue load limit, Pu	0,800 kN