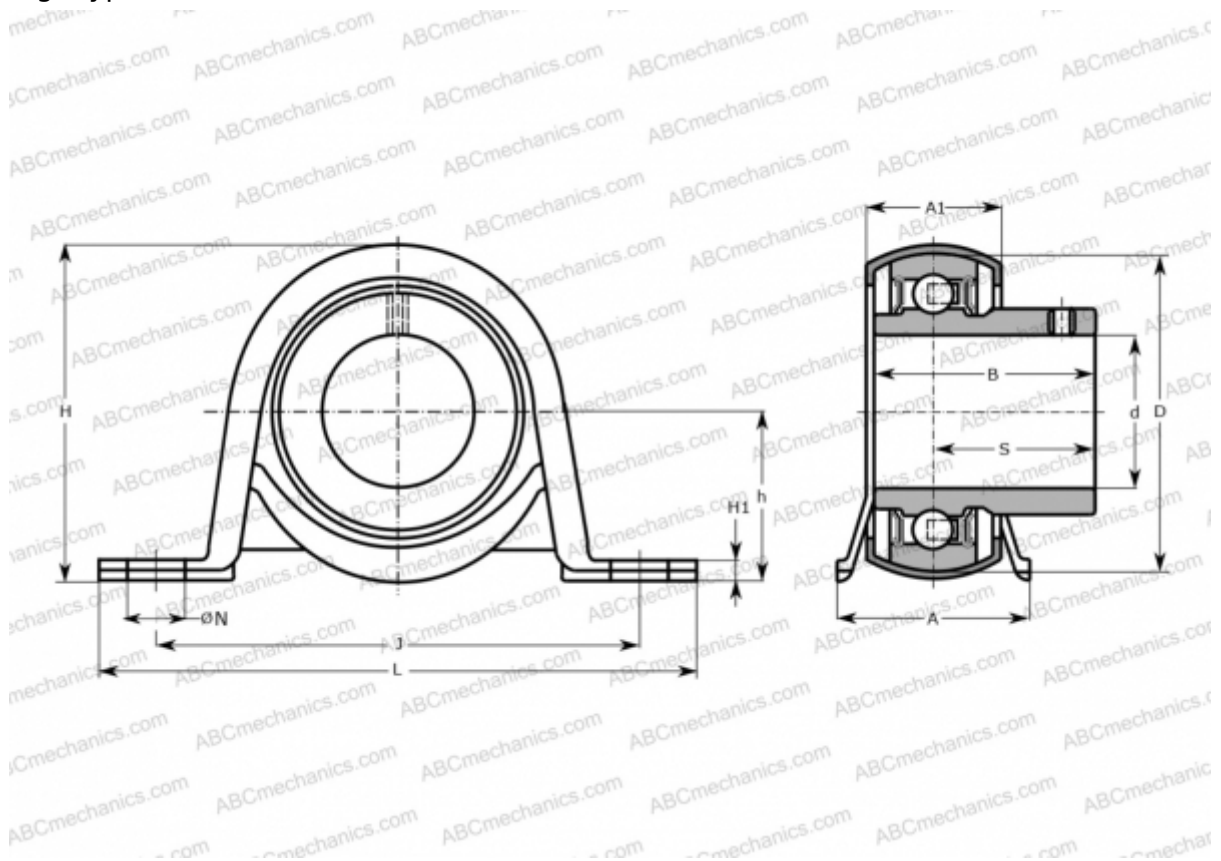


P 1.1/2 TR SKF

Ball bearing units

TYPE: Housing units, Plummer block, Sheet steel housing, Radial insert ball bearing with grub screws in inner ring, Type P..TR (SKF), inch



Technical specification

DIMENSIONS, MM

d	38,100
D	80,000
B	49,200
L	148,000
H	86,000
A	43,000
J	120,000
A1	29,000
H1	5,000
N	14,000
S	30,200
h	43,500

WEIGHT, KG 0,970

Bearing	YAR 208-108-
Housing	P 80

MANUFACTURER

[SKF](#)

CALCULATION DATA

Basic dynamic load rating, C	30,700 kN
Basic static load rating, Co	19,000 kN
Fatigue load limit, Pu	0,800 kN