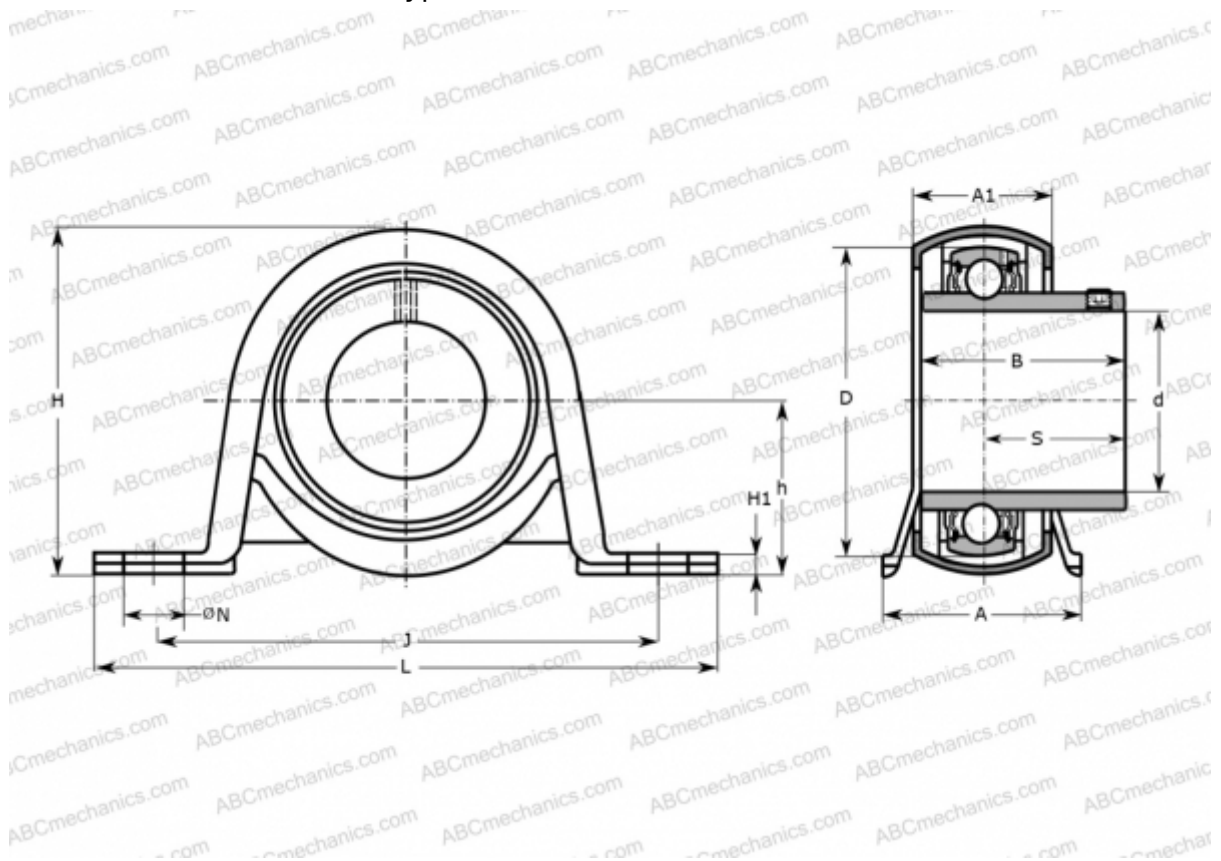


## P 62 R-1. TF SKF

Ball bearing units

TYPE: Housing units, Plummer block, Sheet steel housing, Radial insert ball bearing with eccentric locking collar and rubber interliner, Type P..R..TF (SKF), inch



### Technical specification

#### DIMENSIONS, MM

d	25,400
D	52,000
B	34,100
L	119,000
H	66,000
A	38,000
J	95,000
A1	25,000
H1	4,000
N	11,200
S	19,800
h	32,900

**WEIGHT, KG** 0,380

Bearing	YAR 205-100-
Housing	P 62
Seal	RIS 205

#### MANUFACTURER

[SKF](#)

#### CALCULATION DATA

Basic dynamic load rating, C	14,000 kN
Basic static load rating, Co	7,800 kN
Fatigue load limit, Pu	0,335 kN