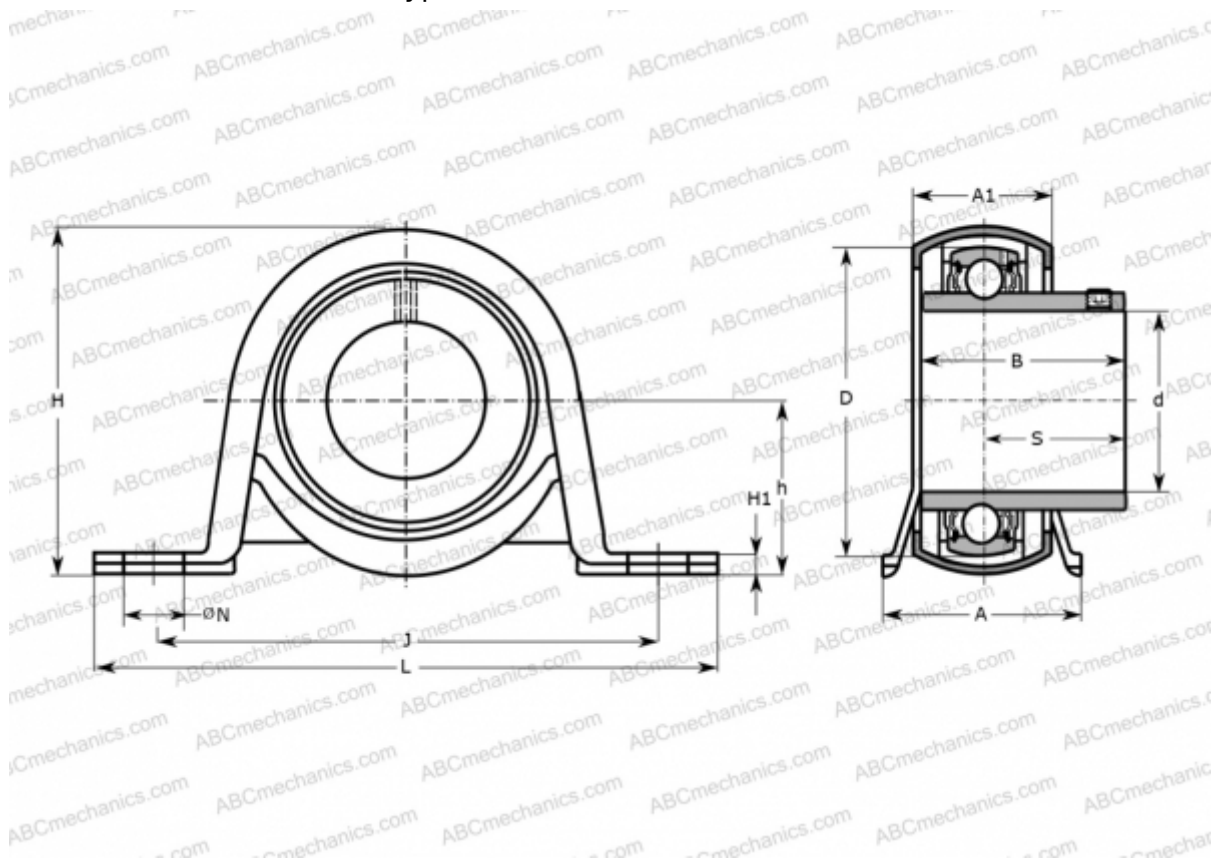


## P 80 R-1.1/4 TF SKF

Ball bearing units

TYPE: Housing units, Plummer block, Sheet steel housing, Radial insert ball bearing with eccentric locking collar and rubber interliner, Type P..R..TF (SKF), inch



### Technical specification

#### DIMENSIONS, MM

|    |         |
|----|---------|
| d  | 31,750  |
| D  | 72,000  |
| B  | 42,900  |
| L  | 148,000 |
| H  | 86,000  |
| A  | 43,000  |
| J  | 120,000 |
| A1 | 29,000  |
| H1 | 5,000   |
| N  | 14,000  |
| S  | 25,400  |
| h  | 43,500  |

**WEIGHT, KG** 0,870

|         |              |
|---------|--------------|
| Bearing | YAR 207-104- |
| Housing | P 80         |
| Seal    | RIS 207      |

#### MANUFACTURER

[SKF](#)

#### CALCULATION DATA

|                              |           |
|------------------------------|-----------|
| Basic dynamic load rating, C | 25,500 kN |
| Basic static load rating, Co | 15,300 kN |
| Fatigue load limit, Pu       | 0,655 kN  |