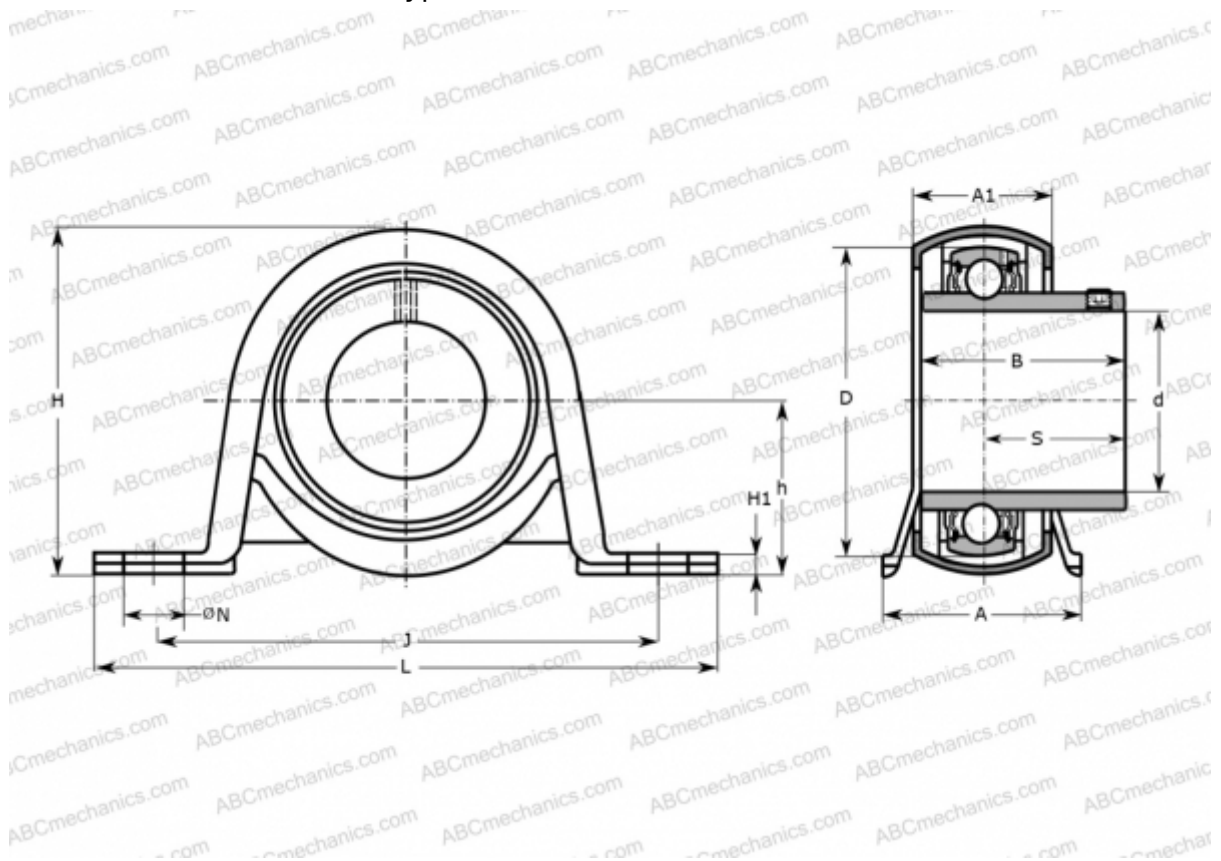


P 85 R-1.1/2 TF SKF

Ball bearing units

TYPE: Housing units, Plummer block, Sheet steel housing, Radial insert ball bearing with eccentric locking collar and rubber interliner, Type P..R..TF (SKF), inch



Technical specification

DIMENSIONS, MM

d	38,100
D	80,000
B	49,200
L	156,000
H	92,000
A	45,000
J	128,000
A1	31,000
H1	6,000
N	14,000
S	30,200
h	46,400

WEIGHT, KG 1,100

Bearing	YAR 208-108-
Housing	P 85
Seal	RIS 208

MANUFACTURER

[SKF](#)

CALCULATION DATA

Basic dynamic load rating, C	30,700 kN
Basic static load rating, Co	19,000 kN
Fatigue load limit, Pu	0,800 kN