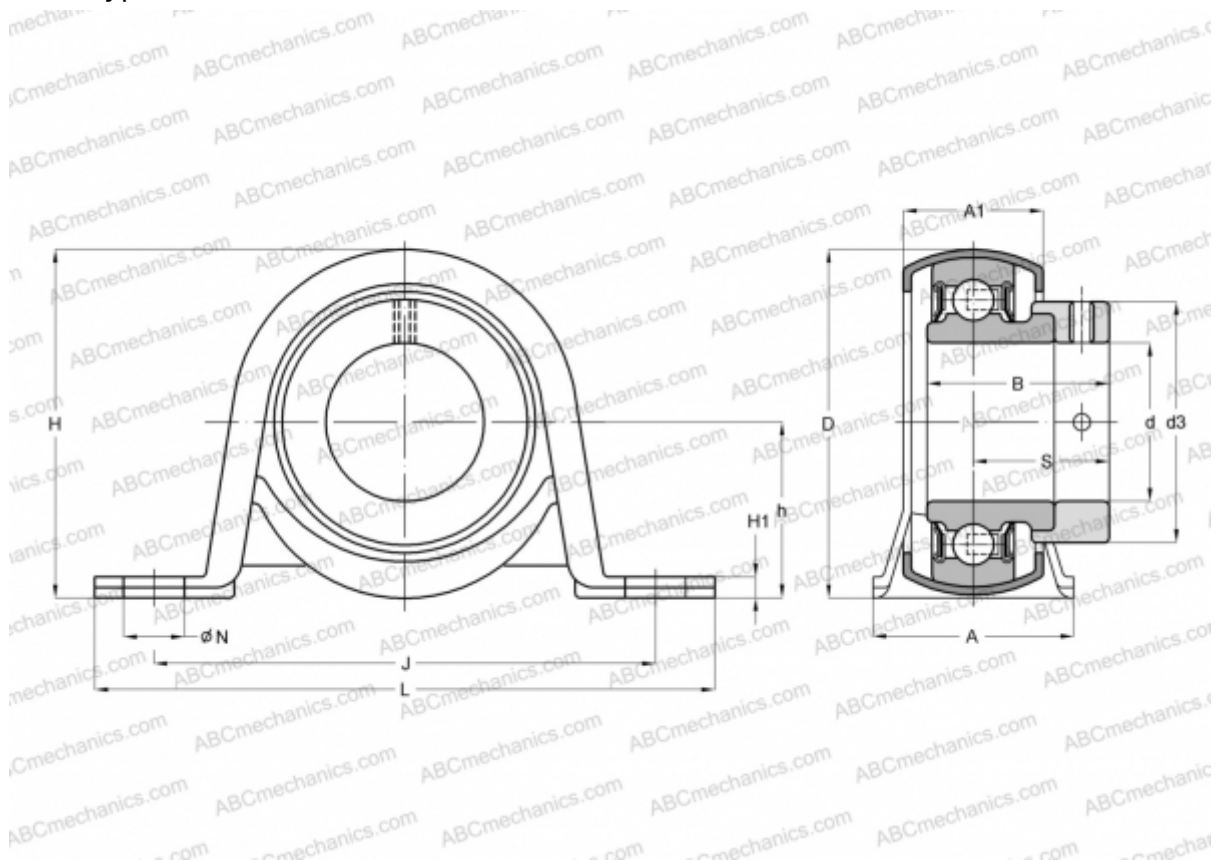


P 15 FM SKF

Ball bearing units

TYPE: Housing units, Plummer block, Sheet steel housing, Radial insert ball bearing with eccentric locking collar, Type P..FM (SKF)



Technical specification

DIMENSIONS, MM

| | |
|----|--------|
| d | 15,000 |
| D | 40,000 |
| B | 28,600 |
| L | 86,000 |
| H | 44,000 |
| A | 26,000 |
| J | 68,000 |
| A1 | 18,000 |
| H1 | 3,000 |
| N | 9,600 |
| S | 22,100 |
| h | 22,000 |

WEIGHT, KG 0,180

| | |
|---------|------------|
| Bearing | YET 203/15 |
| Housing | P 40 |

MANUFACTURER

[SKF](#)

CALCULATION DATA

| | |
|------------------------------|----------|
| Basic dynamic load rating, C | 9,560 kN |
| Basic static load rating, Co | 4,750 kN |
| Fatigue load limit, Pu | 0,200 kN |