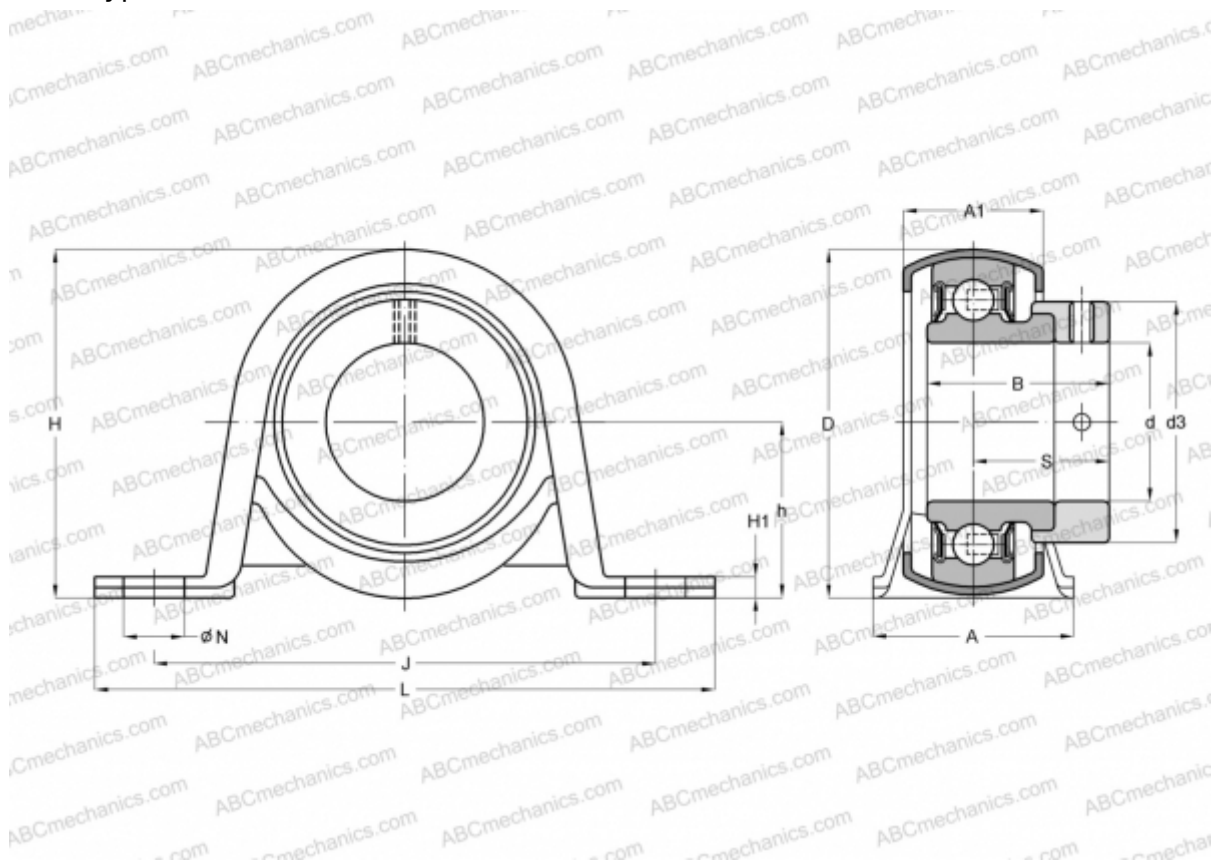


P 25 FM SKF

Ball bearing units

TYPE: Housing units, Plummer block, Sheet steel housing, Radial insert ball bearing with eccentric locking collar, Type P..FM (SKF)



Technical specification

DIMENSIONS, MM

| | |
|----|---------|
| d | 25,000 |
| D | 52,000 |
| B | 31,000 |
| L | 108,000 |
| H | 56,000 |
| A | 32,000 |
| J | 86,000 |
| A1 | 24,000 |
| H1 | 3,200 |
| N | 11,200 |
| S | 23,500 |
| h | 28,300 |

WEIGHT, KG 0,280

| | |
|---------|---------|
| Bearing | YET 205 |
| Housing | P 52 |

MANUFACTURER

[SKF](#)

CALCULATION DATA

| | |
|------------------------------|-----------|
| Basic dynamic load rating, C | 14,000 kN |
| Basic static load rating, Co | 7,800 kN |
| Fatigue load limit, Pu | 0,335 kN |