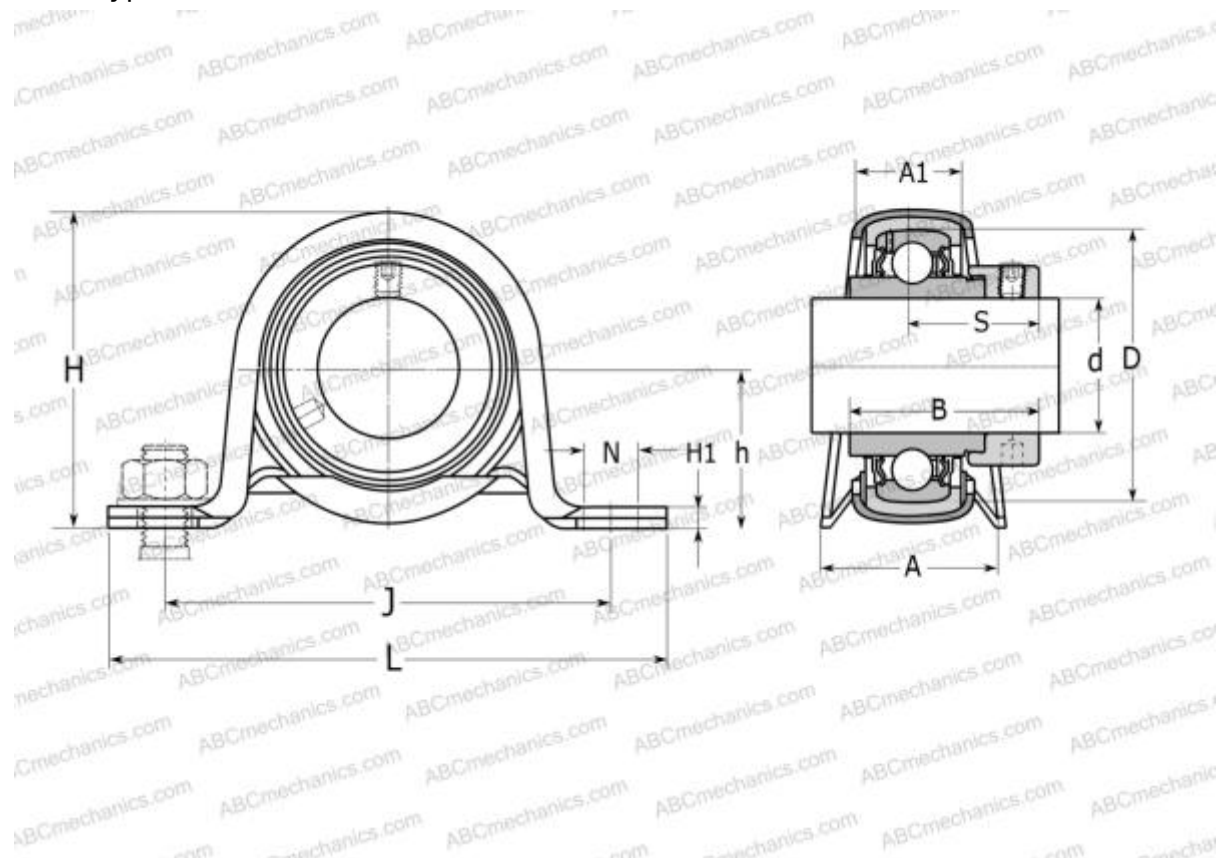




P 25 WF SKF

Ball bearing units

TYPE: Housing units, Plummer block, Sheet steel housing, Radial insert ball bearing with eccentric locking collar, Type P..WF (SKF)



Technical specification

DIMENSIONS, MM

d	25,000
D	25,000
B	44,400
L	108,000
H	56,000
A	32,000
J	86,000
A1	24,000
H1	3,200
N	11,200
S	26,900
h	28,300

WEIGHT, KG 0,330

Bearing	YEL 205-2F
Housing	P 52

MANUFACTURER

[SKF](#)

CALCULATION DATA

Basic dynamic load rating, C	14,000 kN
Basic static load rating, Co	7,800 kN
Fatigue load limit, Pu	0,335 kN

