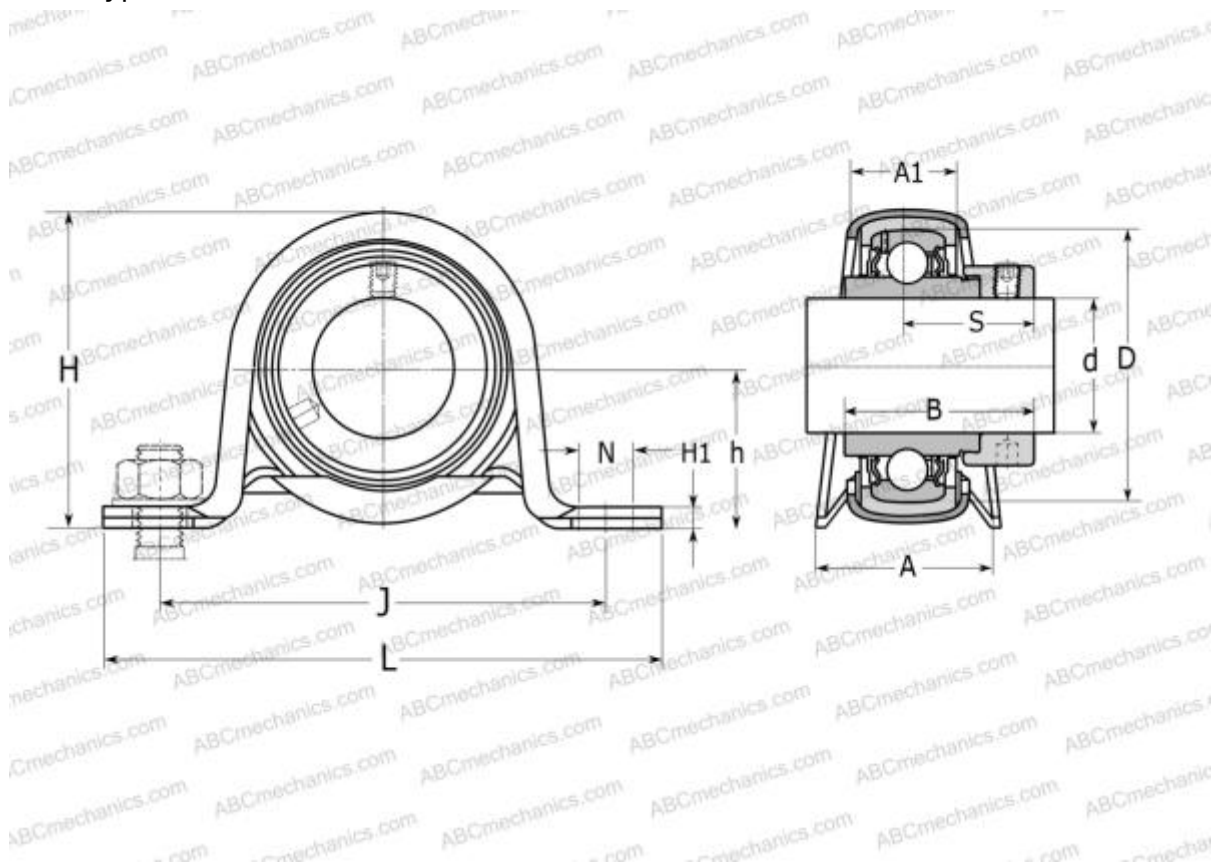


## P 30 WF SKF

Ball bearing units

TYPE: Housing units, Plummer block, Sheet steel housing, Radial insert ball bearing with eccentric locking collar, Type P..WF (SKF)



### Technical specification

#### DIMENSIONS, MM

|    |         |
|----|---------|
| d  | 30,000  |
| D  | 30,000  |
| B  | 48,400  |
| L  | 119,000 |
| H  | 66,000  |
| A  | 38,000  |
| J  | 95,000  |
| A1 | 25,000  |
| H1 | 4,000   |
| N  | 11,200  |
| S  | 30,100  |
| h  | 32,900  |

**WEIGHT, KG** 0,410

|         |            |
|---------|------------|
| Bearing | YEL 206-2F |
| Housing | P 62       |

#### MANUFACTURER

[SKF](https://www.skf.com)

#### CALCULATION DATA

|                              |           |
|------------------------------|-----------|
| Basic dynamic load rating, C | 19,500 kN |
| Basic static load rating, Co | 11,200 kN |
| Fatigue load limit, Pu       | 0,475 kN  |