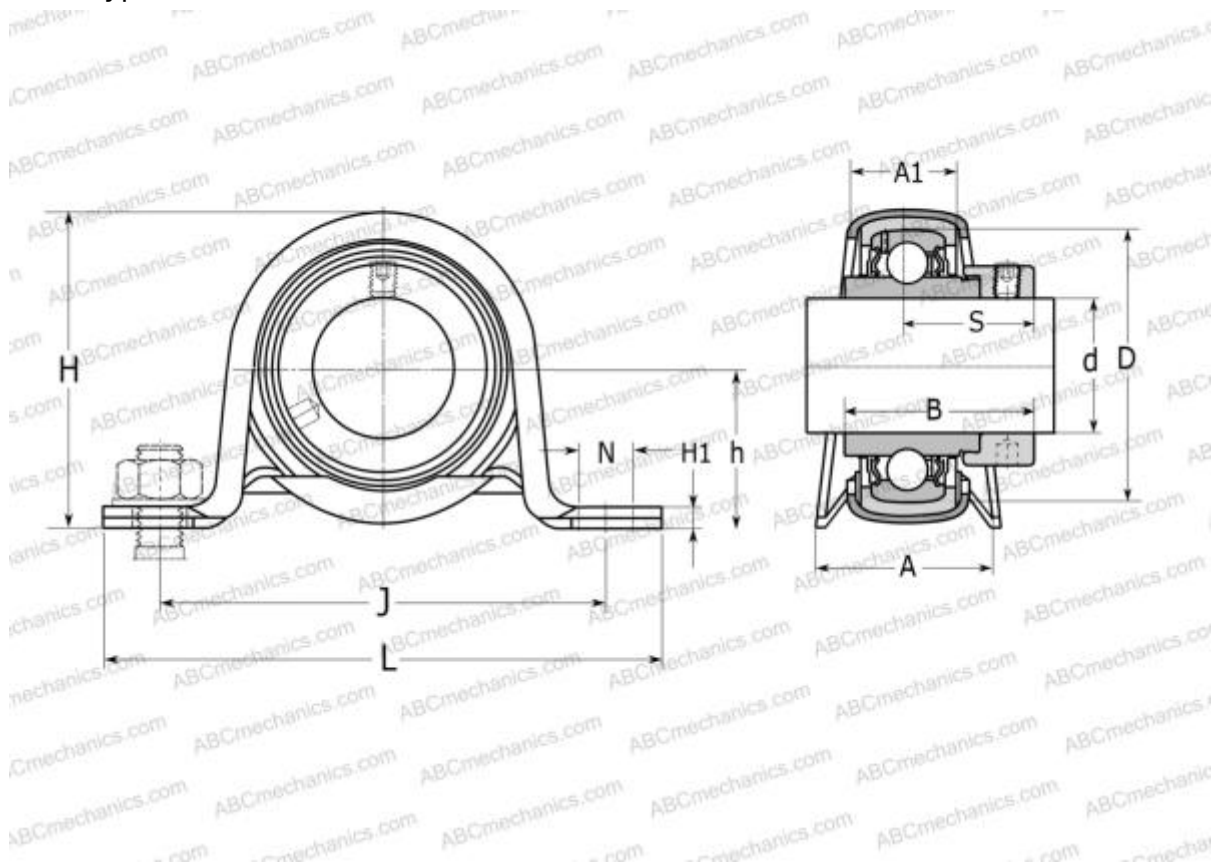


P 35 WF SKF

Ball bearing units

TYPE: Housing units, Plummer block, Sheet steel housing, Radial insert ball bearing with eccentric locking collar, Type P..WF (SKF)



Technical specification

DIMENSIONS, MM

d	35,000
D	35,000
B	51,100
L	130,000
H	78,000
A	41,000
J	106,000
A1	27,000
H1	5,000
N	11,200
S	32,300
h	39,200

WEIGHT, KG 0,830

Bearing	YEL 207-2F
Housing	P 72

MANUFACTURER

[SKF](https://www.skf.com)

CALCULATION DATA

Basic dynamic load rating, C	25,500 kN
Basic static load rating, Co	15,300 kN
Fatigue load limit, Pu	0,655 kN