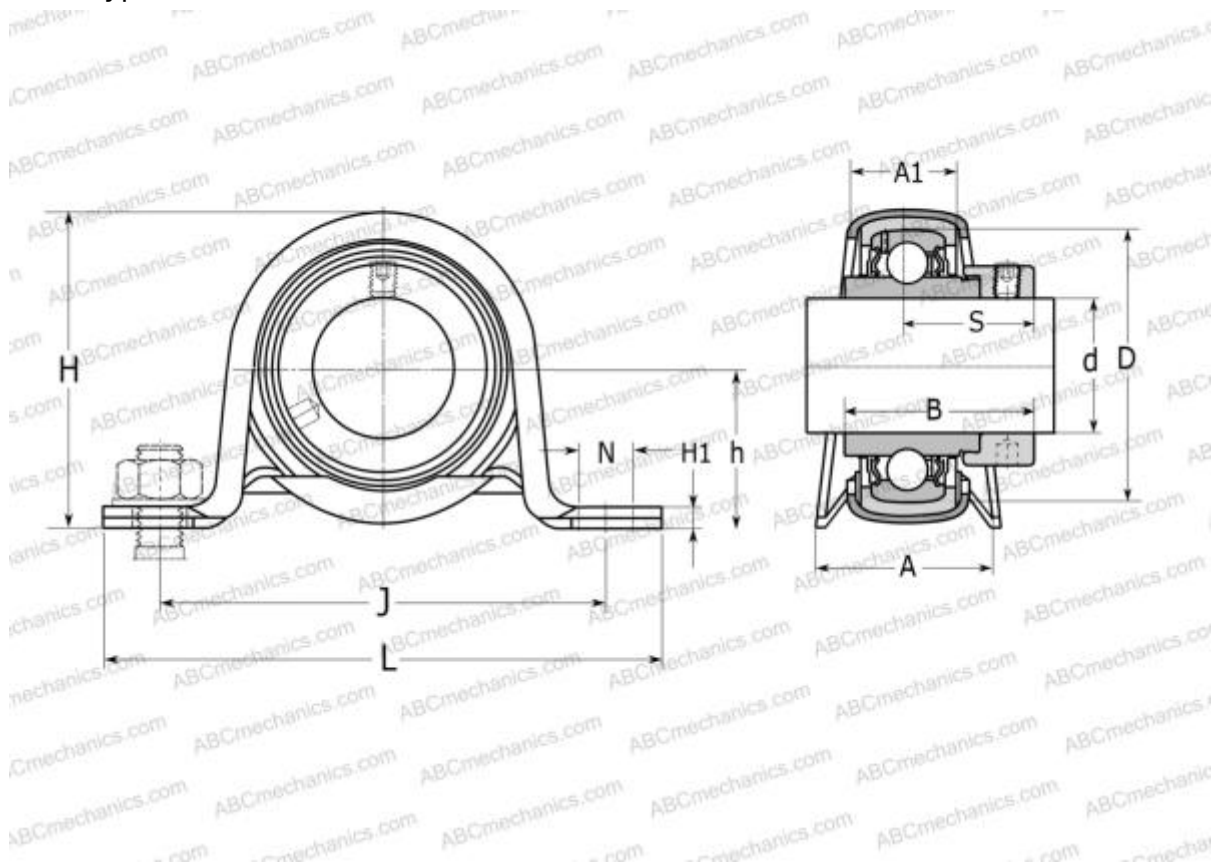


## P 40 WF SKF

Ball bearing units

TYPE: Housing units, Plummer block, Sheet steel housing, Radial insert ball bearing with eccentric locking collar, Type P..WF (SKF)



### Technical specification

#### DIMENSIONS, MM

d	40,000
D	40,000
B	56,300
L	148,000
H	86,000
A	43,000
J	120,000
A1	29,000
H1	5,000
N	14,000
S	34,900
h	43,500

**WEIGHT, KG** 1,050

Bearing	YEL 208-2F
Housing	P 80

#### MANUFACTURER

[SKF](https://www.skf.com)

#### CALCULATION DATA

Basic dynamic load rating, C	30,700 kN
Basic static load rating, Co	19,000 kN
Fatigue load limit, Pu	0,800 kN