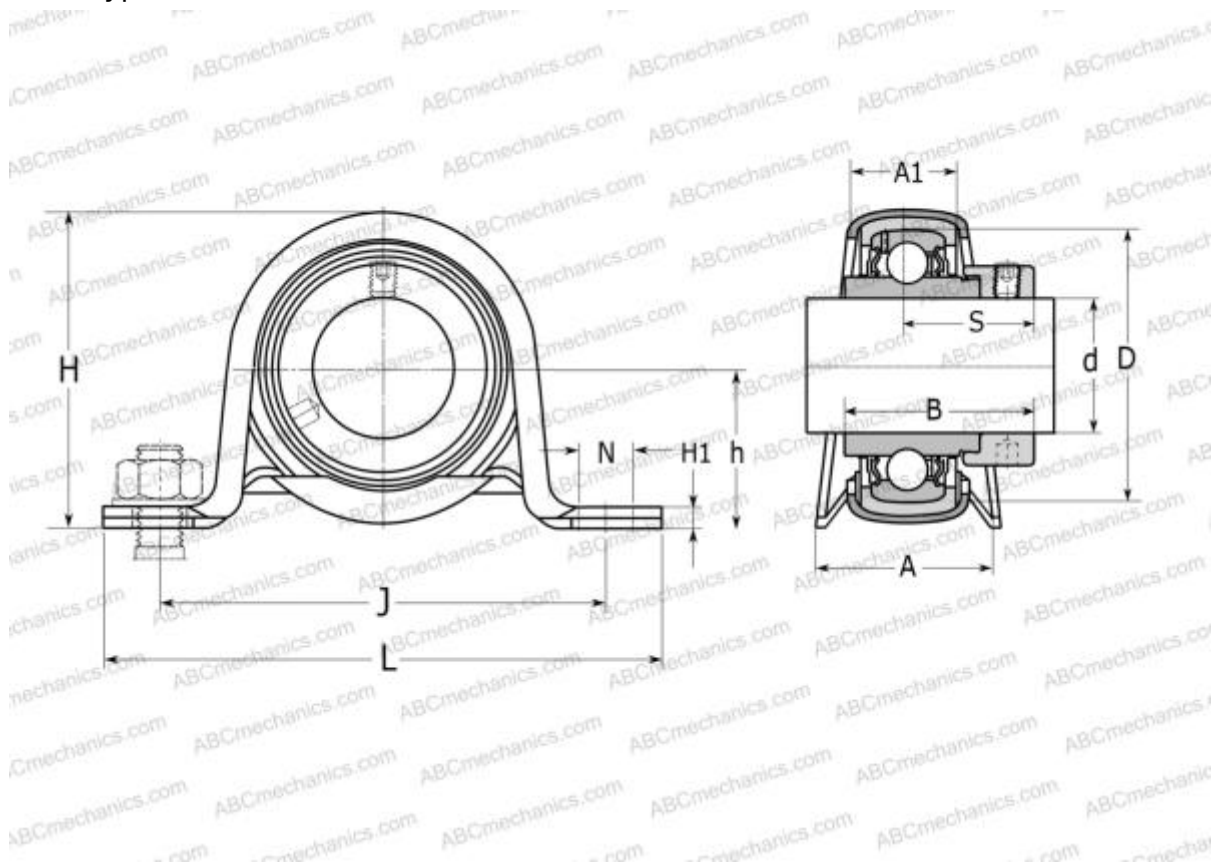


## P 45 WF SKF

Ball bearing units

TYPE: Housing units, Plummer block, Sheet steel housing, Radial insert ball bearing with eccentric locking collar, Type P..WF (SKF)



### Technical specification

#### DIMENSIONS, MM

d	45,000
D	45,000
B	56,300
L	156,000
H	92,000
A	45,000
J	128,000
A1	31,000
H1	6,000
N	14,000
S	34,900
h	46,400

**WEIGHT, KG** 1,150

Bearing	YEL 209-2F
Housing	P 85

#### MANUFACTURER

[SKF](#)

#### CALCULATION DATA

Basic dynamic load rating, C	33,200 kN
Basic static load rating, Co	21,600 kN
Fatigue load limit, Pu	0,915 kN