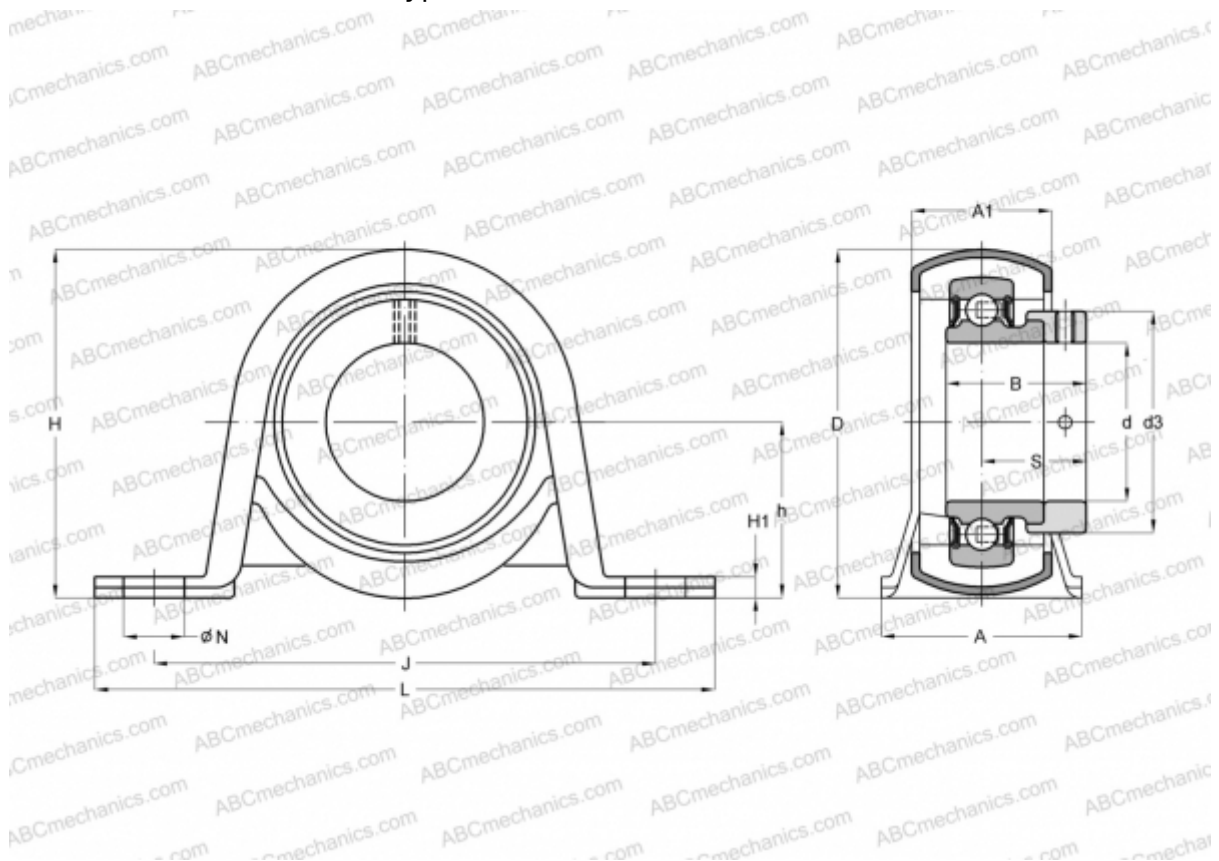


## P 62 R-25 FM SKF

Ball bearing units

TYPE: Housing units, Plummer block, Sheet steel housing, Radial insert ball bearing with eccentric locking collar and rubber interliner, Type P..R..FM (SKF)



### Technical specification

#### DIMENSIONS, MM

d	25,000
D	52,000
B	31,000
L	119,000
H	66,000
A	38,000
J	95,000
A1	25,000
H1	4,000
N	11,200
S	23,500
h	32,900

**WEIGHT, KG** 0,390

Bearing	YET 205
Housing	P 62
Seal	RIS 205

#### MANUFACTURER

[SKF](#)

#### CALCULATION DATA

Basic dynamic load rating, C	14,000 kN
Basic static load rating, Co	7,800 kN
Fatigue load limit, Pu	0,335 kN