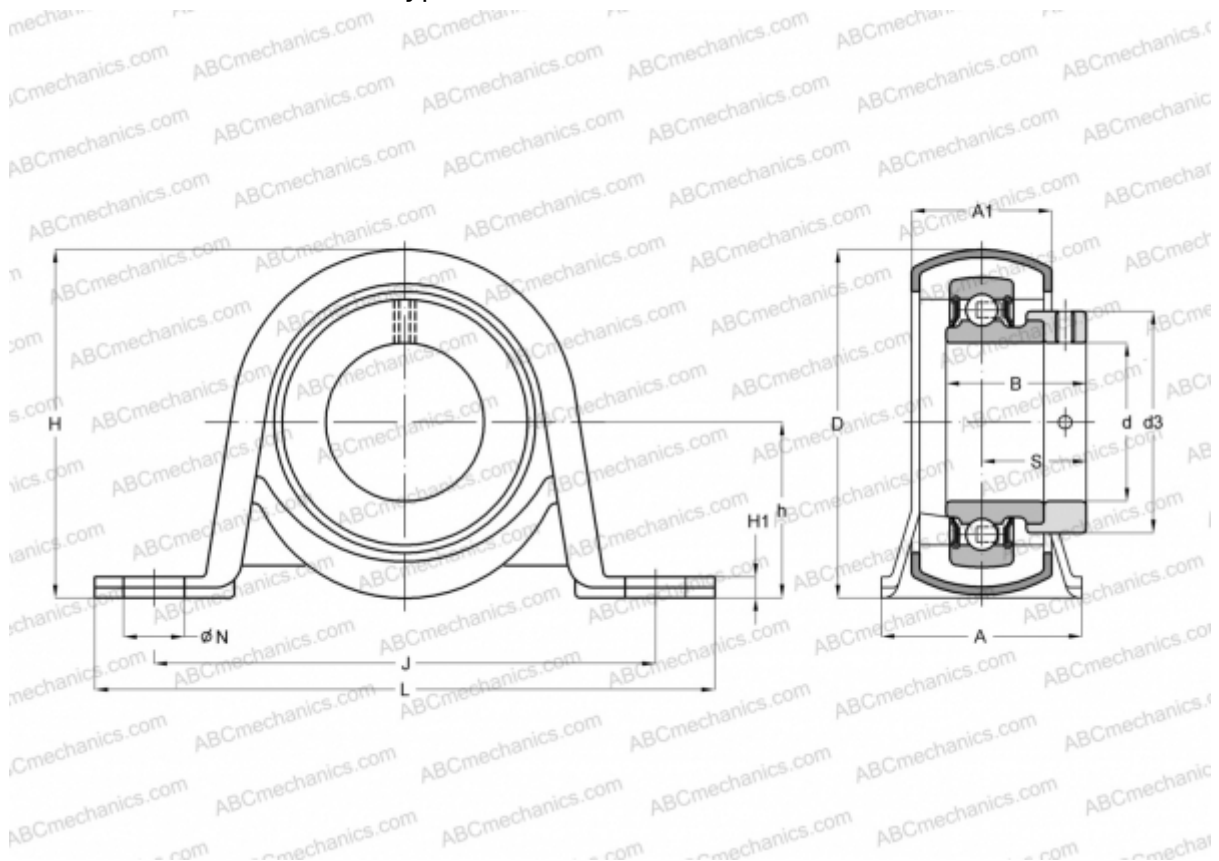


## P 85 R-40 FM SKF

Ball bearing units

TYPE: Housing units, Plummer block, Sheet steel housing, Radial insert ball bearing with eccentric locking collar and rubber interliner, Type P..R..FM (SKF)



### Technical specification

#### DIMENSIONS, MM

d	40,000
D	80,000
B	43,700
L	156,000
H	92,000
A	45,000
J	128,000
A1	31,000
H1	6,000
N	14,000
S	32,700
h	46,400

#### WEIGHT, KG

1,100

Bearing	YET 208
Housing	P 85
Seal	RIS 208 A

#### MANUFACTURER

[SKF](#)

#### CALCULATION DATA

Basic dynamic load rating, C	30,700 kN
Basic static load rating, Co	19,000 kN
Fatigue load limit, Pu	0,800 kN