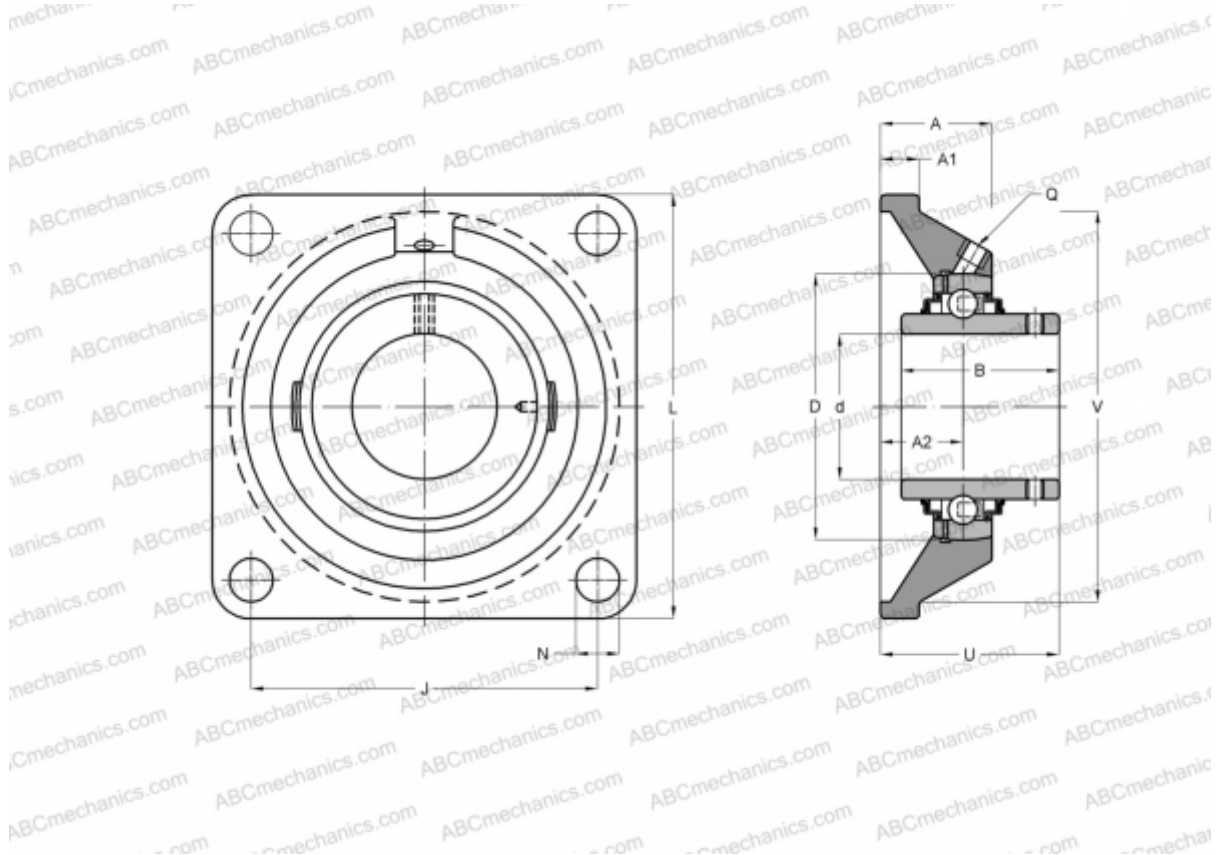


FYK 25 TR SKF

Ball bearing units

TYPE: Housing units, Four-bolt flanged housing units, Cast iron housing, Radial insert ball bearing with grub screws in inner ring, Type FYK..TR (SKF), composite



Technical specification

DIMENSIONS, MM

| | |
|----|--------|
| d | 25,000 |
| D | 52,000 |
| B | 34,100 |
| L | 95,000 |
| A | 31,000 |
| J | 70,000 |
| A1 | 15,000 |
| A2 | 19,000 |
| N | 12,000 |
| U | 38,800 |
| V | 74,600 |

WEIGHT, KG 0,330

Bearing YAR 205-2RF

| | |
|------------------|---------|
| Housing | FYK 505 |
| Protective cover | ECY 205 |

MANUFACTURER

[SKF](#)

CALCULATION DATA

| | |
|------------------------------|------------|
| Basic dynamic load rating, C | 14,000 kN |
| Basic static load rating, Co | 7,800 kN |
| Fatigue load limit, Pu | 0,335 kN |
| Limiting speed | 4300 r/min |