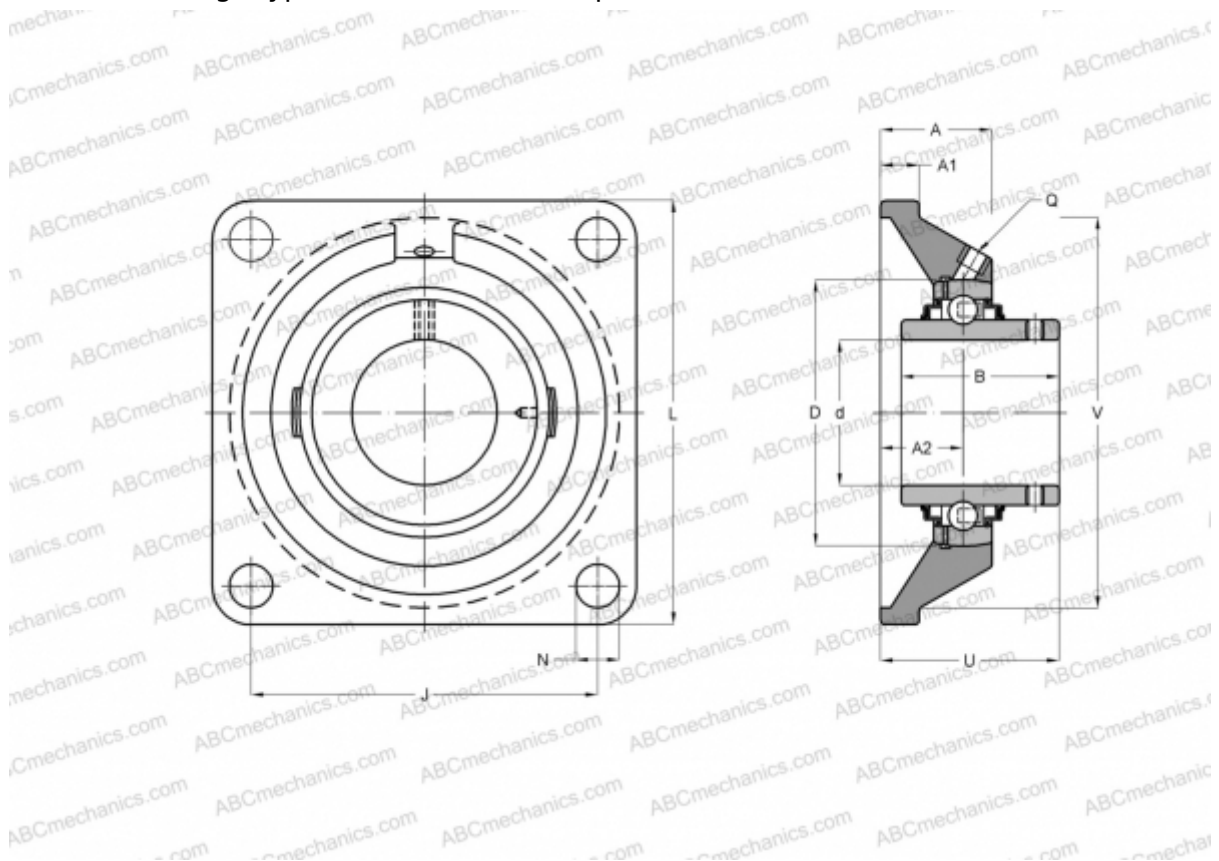


FYK 30 TR SKF

Ball bearing units

TYPE: Housing units, Four-bolt flanged housing units, Cast iron housing, Radial insert ball bearing with grub screws in inner ring, Type FYK..TR (SKF), composite



Technical specification

DIMENSIONS, MM

d	30,000
D	62,000
B	38,100
L	108,000
A	33,000
J	82,500
A1	15,300
A2	20,000
N	12,000
U	42,200
V	93,700

WEIGHT, KG 0,480

Bearing YAR 206-2RF

Housing	FYK 506
Protective cover	ECY 206

MANUFACTURER

[SKF](#)

CALCULATION DATA

Basic dynamic load rating, C	19,500 kN
Basic static load rating, Co	11,200 kN
Fatigue load limit, Pu	0,475 kN
Limiting speed	3800 r/min