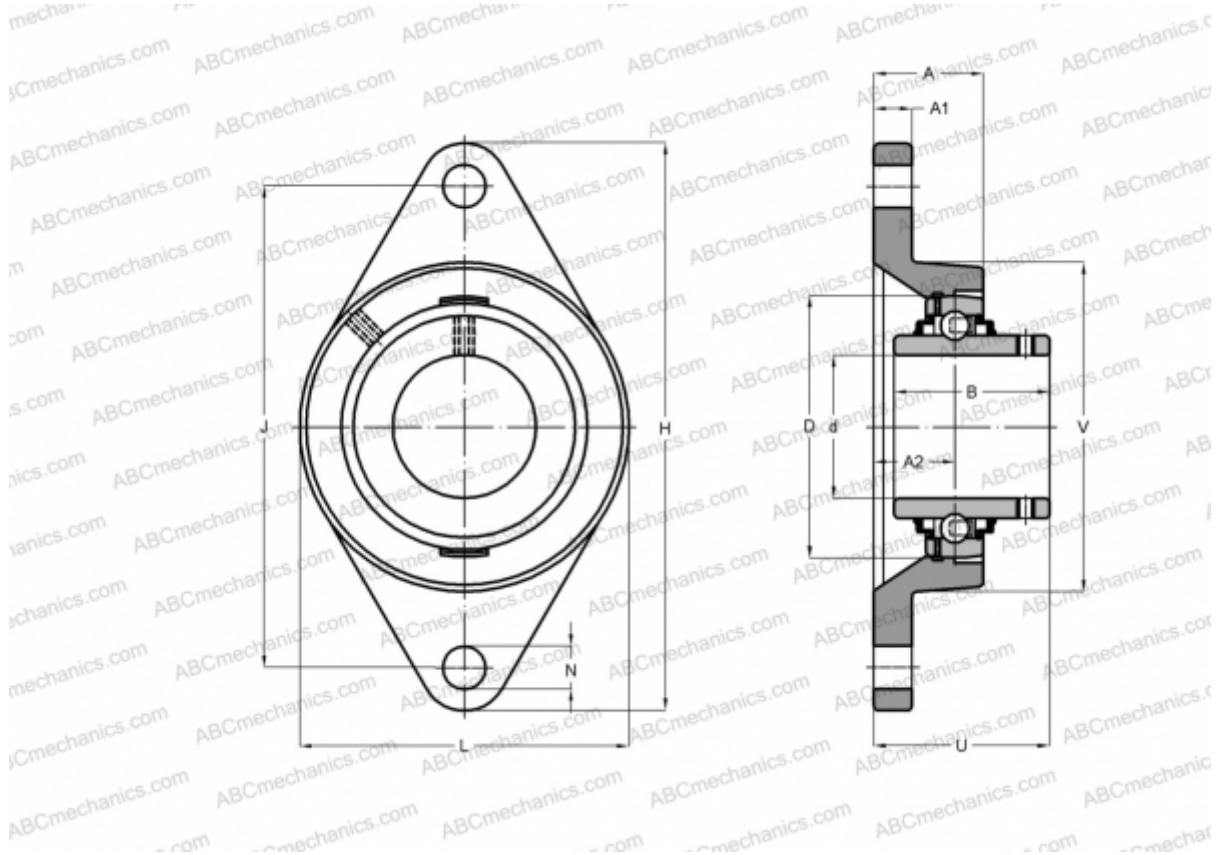


## FYTBK 35 TF SKF

Ball bearing units

TYPE: Housing units, Two-bolt flanged housing units, Cast iron housing, Radial insert ball bearing with grub screws in inner ring, Type FYTBK..TF (SKF), composite



### Technical specification

#### DIMENSIONS, MM

d	35,000
D	72,000
B	42,900
L	96,000
H	156,000
A	35,000
J	130,000
A1	17,000
A2	21,000
N	14,500
U	46,400
V	88,900

**WEIGHT, KG** 0,610

Bearing	YAR 207-2F
Housing	FYTBK 507
Protective cover	ECY 207

#### MANUFACTURER

[SKF](#)

#### CALCULATION DATA

Basic dynamic load rating, C	25,500 kN
Basic static load rating, Co	15,300 kN
Fatigue load limit, Pu	0,655 kN
Limiting speed	5300 r/min