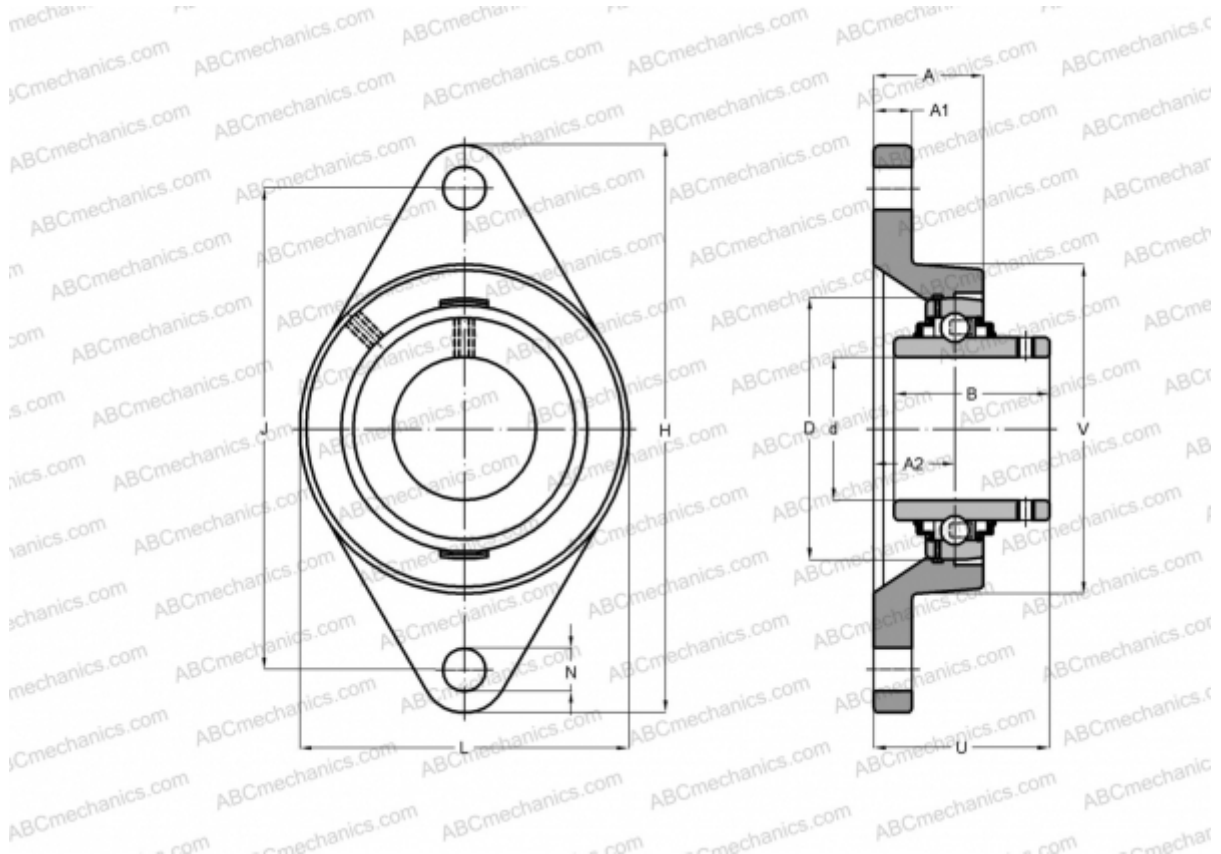


## FYTBK 25 TR SKF

Ball bearing units

TYPE: Housing units, Two-bolt flanged housing units, Cast iron housing, Radial insert ball bearing with grub screws in inner ring, Type FYTBK..TR (SKF), composite



### Technical specification

#### DIMENSIONS, MM

d	25,000
D	52,000
B	34,100
L	70,000
H	124,000
A	30,000
J	99,000
A1	15,000
A2	19,000
N	12,000
U	38,800
V	63,500

**WEIGHT, KG** 0,290

Bearing	YAR 205-2RF
Housing	FYTBK 505
Protective cover	ECY 205

#### MANUFACTURER

[SKF](#)

#### CALCULATION DATA

Basic dynamic load rating, C	14,000 kN
Basic static load rating, Co	7,800 kN
Fatigue load limit, Pu	0,335 kN
Limiting speed	4300 r/min