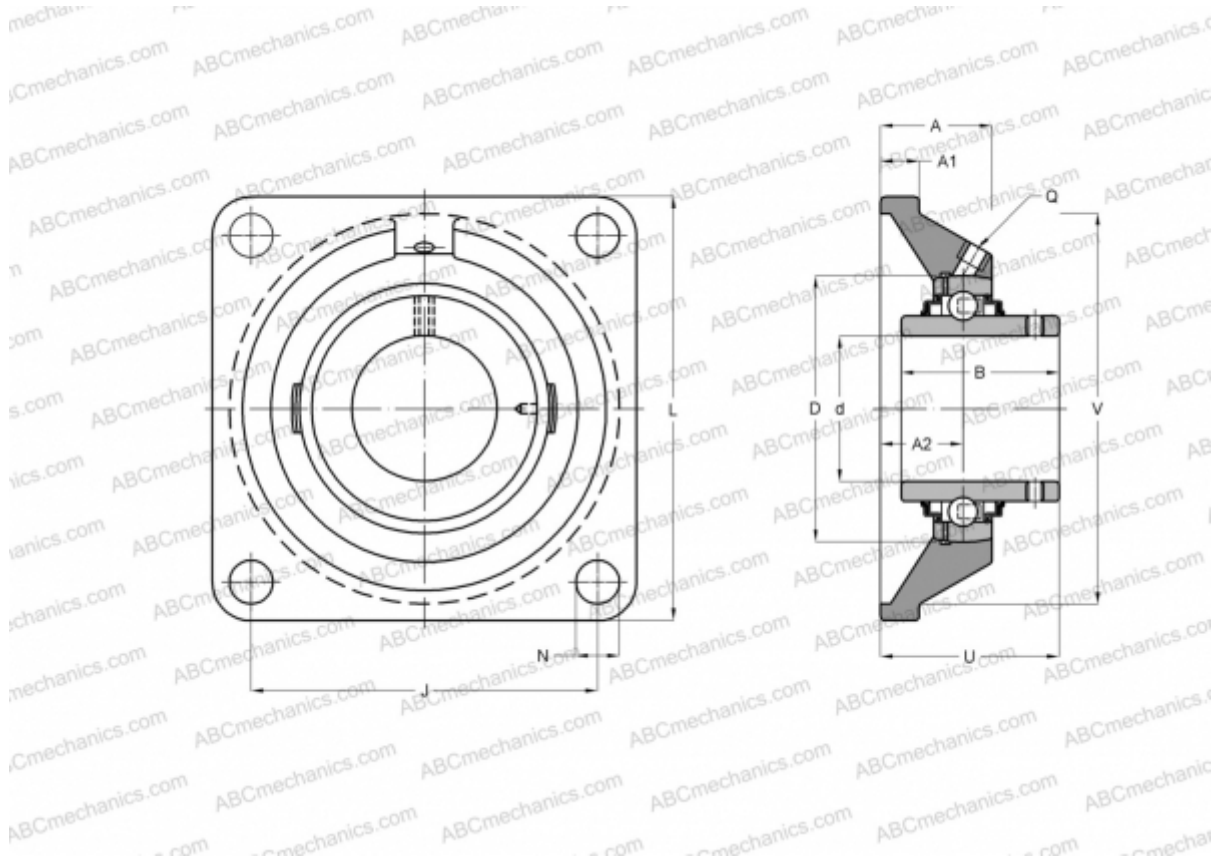


FY 17 TF SKF

Ball bearing units

TYPE: Housing units, Four-bolt flanged housing units, Cast iron housing, Radial insert ball bearing with grub screws in inner ring, Type FY/FYJ..TF (SKF)



Technical specification

DIMENSIONS, MM

d	17,000
D	17,000
B	27,400
L	76,000
A	26,000
J	54,000
A1	11,000
N	11,500
U	32,900
V	55,600

WEIGHT, KG

0,440

Bearing	YAR 203-2F
Housing	FY 503 M

MANUFACTURER

[SKF](#)

CALCULATION DATA

Basic dynamic load rating, C	9,560 kN
Basic static load rating, Co	4,750 kN
Fatigue load limit, Pu	0,200 kN
Limiting speed	9500 r/min