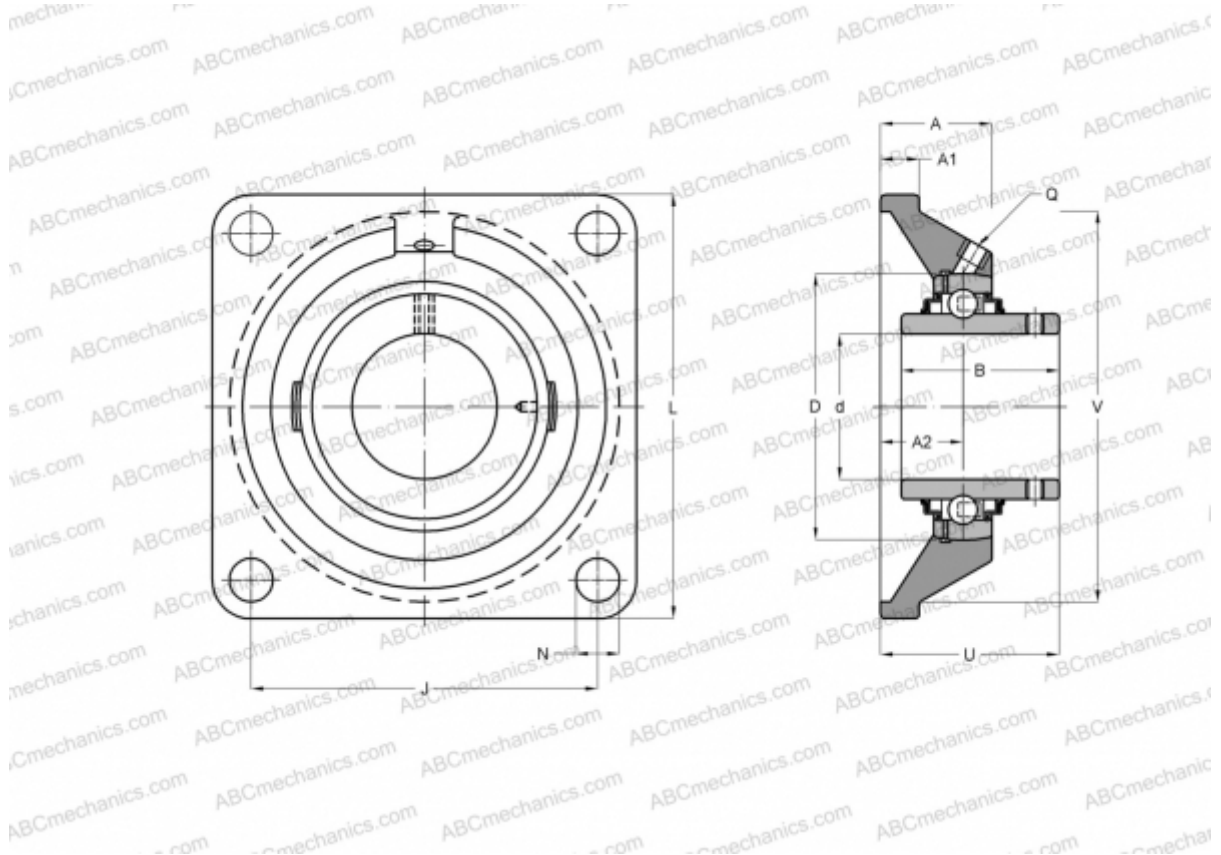


FYJ 50 TF SKF

Ball bearing units

TYPE: Housing units, Four-bolt flanged housing units, Cast iron housing, Radial insert ball bearing with grub screws in inner ring, Type FY/FYJ..TF (SKF)



Technical specification

DIMENSIONS, MM

| | |
|----|---------|
| d | 50,000 |
| D | 50,000 |
| B | 51,600 |
| L | 143,000 |
| A | 40,000 |
| J | 111,000 |
| A1 | 18,000 |
| N | 16,000 |
| U | 54,600 |
| V | 125,400 |

WEIGHT, KG 3,150

| | |
|---------|------------|
| Bearing | YAR 210-2F |
| Housing | FYJ 510 |

MANUFACTURER

[SKF](#)

CALCULATION DATA

| | |
|------------------------------|------------|
| Basic dynamic load rating, C | 35,100 kN |
| Basic static load rating, Co | 23,200 kN |
| Fatigue load limit, Pu | 0,980 kN |
| Limiting speed | 4000 r/min |