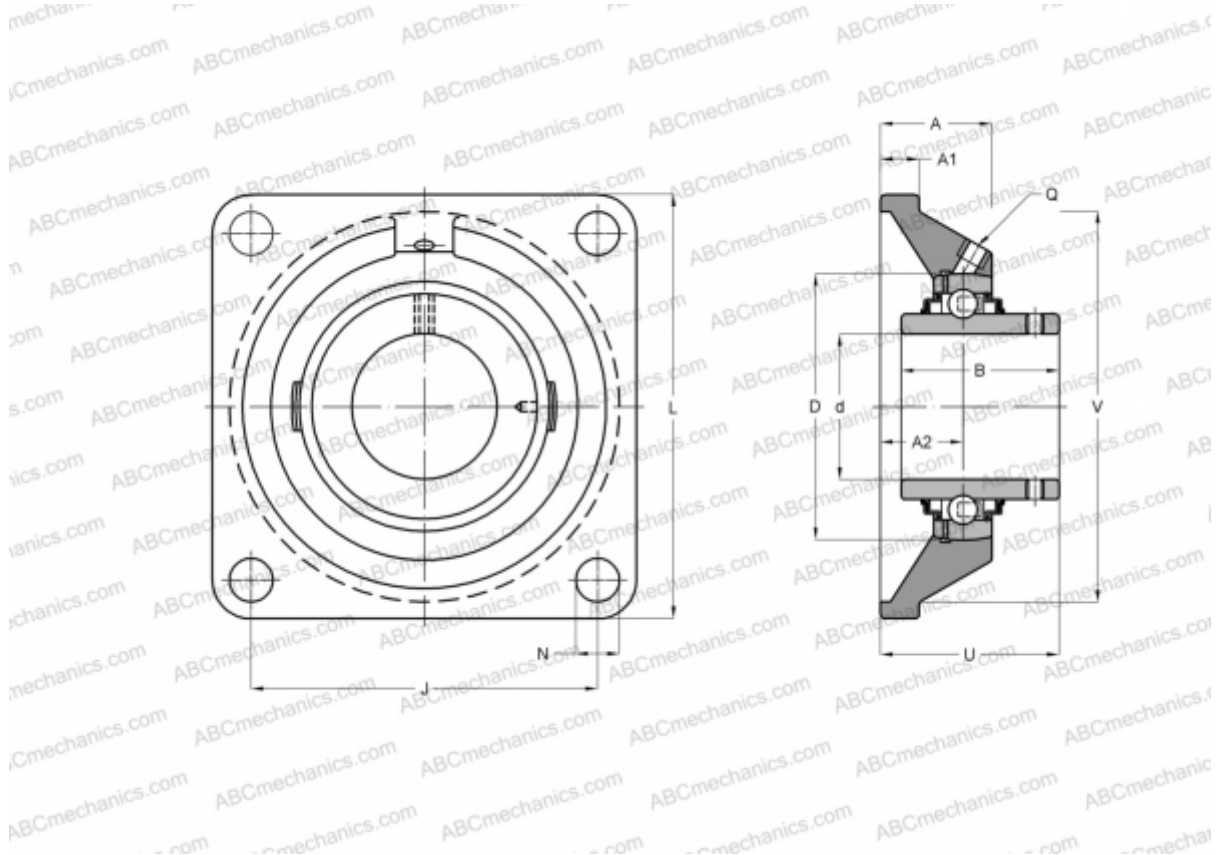


FY 55 TF SKF

Ball bearing units

TYPE: Housing units, Four-bolt flanged housing units, Cast iron housing, Radial insert ball bearing with grub screws in inner ring, Type FY/FYJ..TF (SKF)



Technical specification

DIMENSIONS, MM

| | |
|----|---------|
| d | 55,000 |
| D | 55,000 |
| B | 55,600 |
| L | 162,000 |
| A | 47,500 |
| J | 130,000 |
| A1 | 16,000 |
| N | 18,000 |
| U | 64,400 |
| V | 150,800 |

WEIGHT, KG

3,600

| | |
|---------|------------|
| Bearing | YAR 211-2F |
| Housing | FY 511 M |

Protective cover

ECY 211

MANUFACTURER

[SKF](#)

CALCULATION DATA

| | |
|------------------------------|------------|
| Basic dynamic load rating, C | 43,600 kN |
| Basic static load rating, Co | 29,000 kN |
| Fatigue load limit, Pu | 1,250 kN |
| Limiting speed | 3600 r/min |