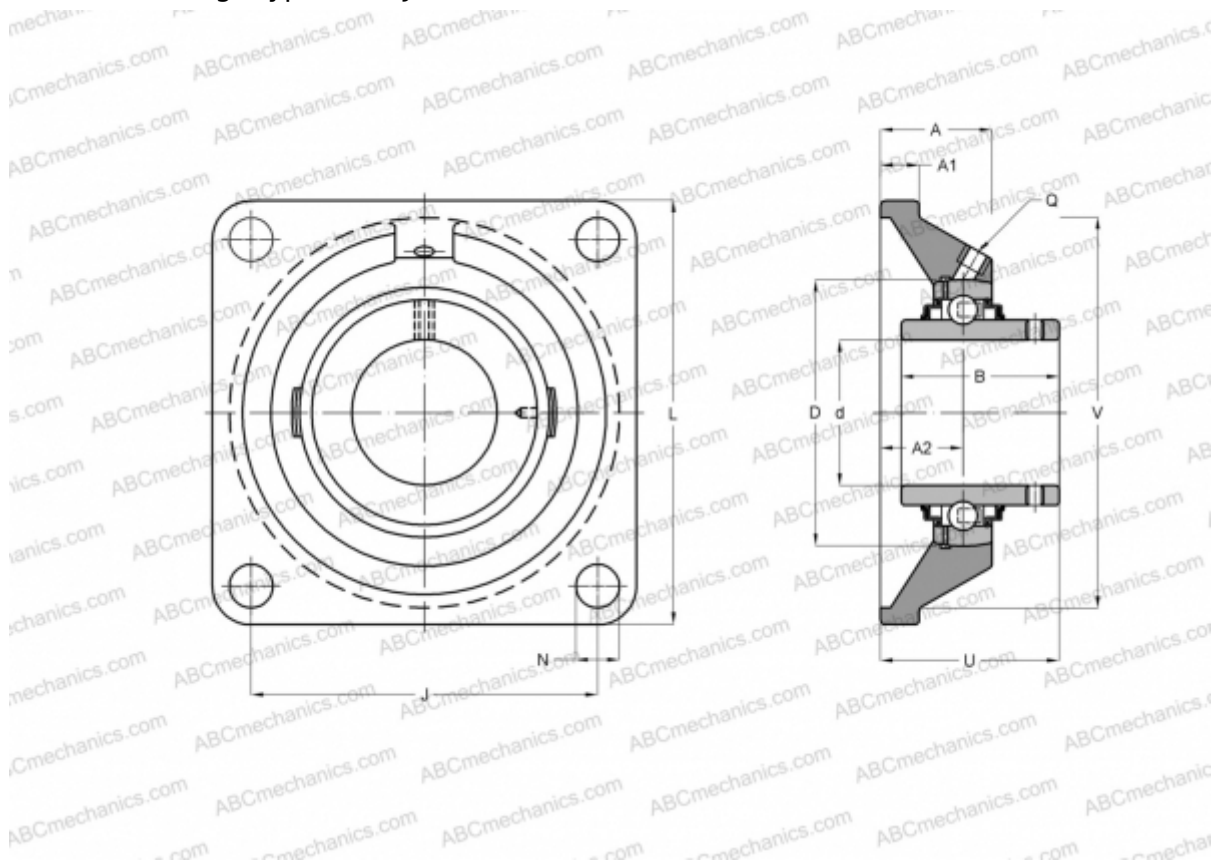


FYJ 55 TF SKF

Ball bearing units

TYPE: Housing units, Four-bolt flanged housing units, Cast iron housing, Radial insert ball bearing with grub screws in inner ring, Type FY/FYJ..TF (SKF)



Technical specification

DIMENSIONS, MM

d	55,000
D	55,000
B	55,600
L	162,000
A	43,000
J	130,000
A1	20,000
N	19,000
U	58,400
V	150,800

WEIGHT, KG

3,450

Bearing	YAR 211-2F
Housing	FYJ 511

MANUFACTURER

[SKF](#)

CALCULATION DATA

Basic dynamic load rating, C	43,600 kN
Basic static load rating, Co	29,000 kN
Fatigue load limit, Pu	1,250 kN
Limiting speed	3600 r/min