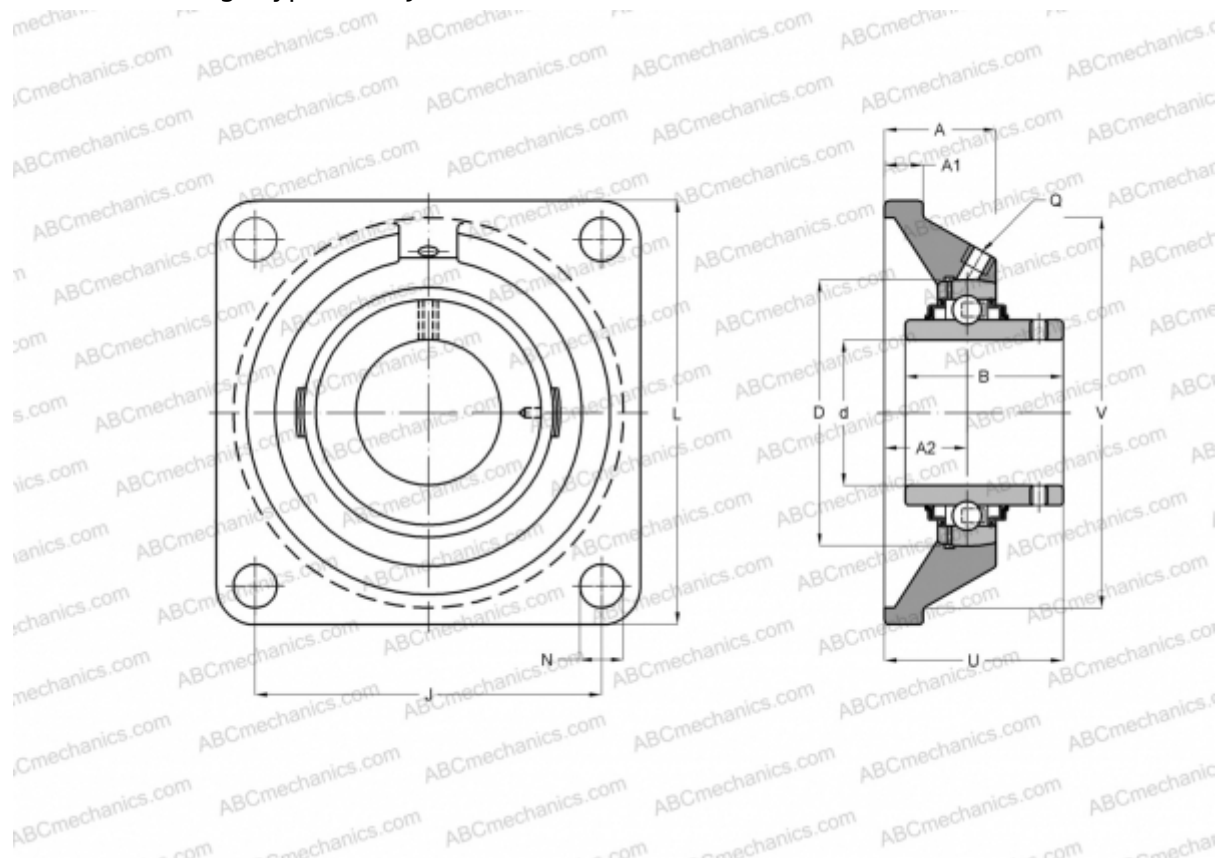


## FYJ 100 TF SKF

Ball bearing units

TYPE: Housing units, Four-bolt flanged housing units, Cast iron housing, Radial insert ball bearing with grub screws in inner ring, Type FY/FYJ..TF (SKF)



### Technical specification

#### DIMENSIONS, MM

d	100,000
D	100,000
B	98,400
L	265,000
A	70,000
J	210,000
A1	25,000
N	27,000
U	107,500
V	215,900

**WEIGHT, KG** 15,200

Bearing	YAR 220-2F
Housing	FYJ 520

#### MANUFACTURER

[SKF](#)

#### CALCULATION DATA

Basic dynamic load rating, C	124,000 kN
Basic static load rating, Co	93,000 kN
Fatigue load limit, Pu	3,350 kN
Limiting speed	1900 r/min