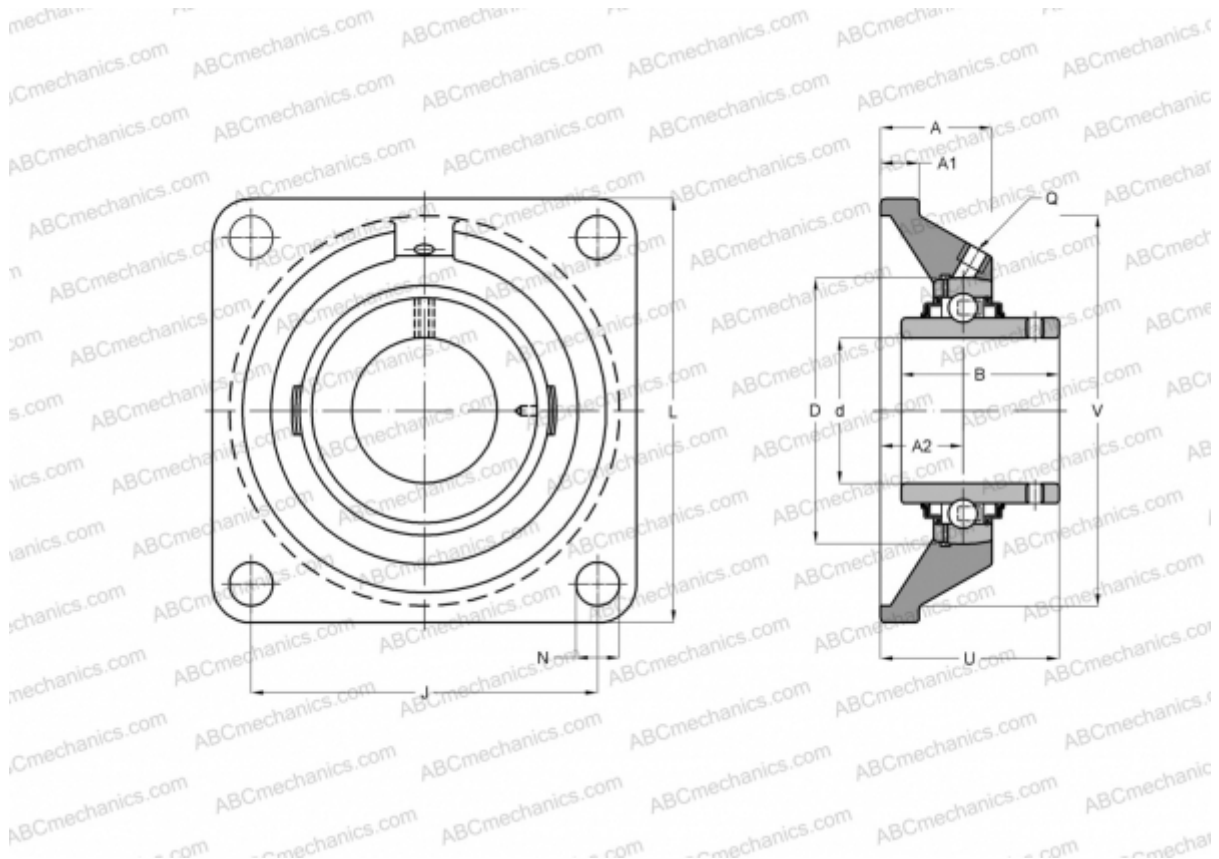


## FY 30 TR SKF

Ball bearing units

TYPE: Housing units, Four-bolt flanged housing units, Cast iron housing, Radial insert ball bearing with grub screws in inner ring, Type FY..TR (SKF)



### Technical specification

#### DIMENSIONS, MM

d	30,000
D	30,000
B	38,100
L	108,000
A	32,500
J	82,500
A1	13,000
N	11,500
U	42,200
V	93,700

#### WEIGHT, KG

1,100

Bearing	YAR 206-2RF
Housing	FY 506 M

Protective cover

ECY 206

#### MANUFACTURER

[SKF](#)

#### CALCULATION DATA

Basic dynamic load rating, C	19,500 kN
Basic static load rating, Co	11,200 kN
Fatigue load limit, Pu	0,475 kN
Limiting speed	3800 r/min