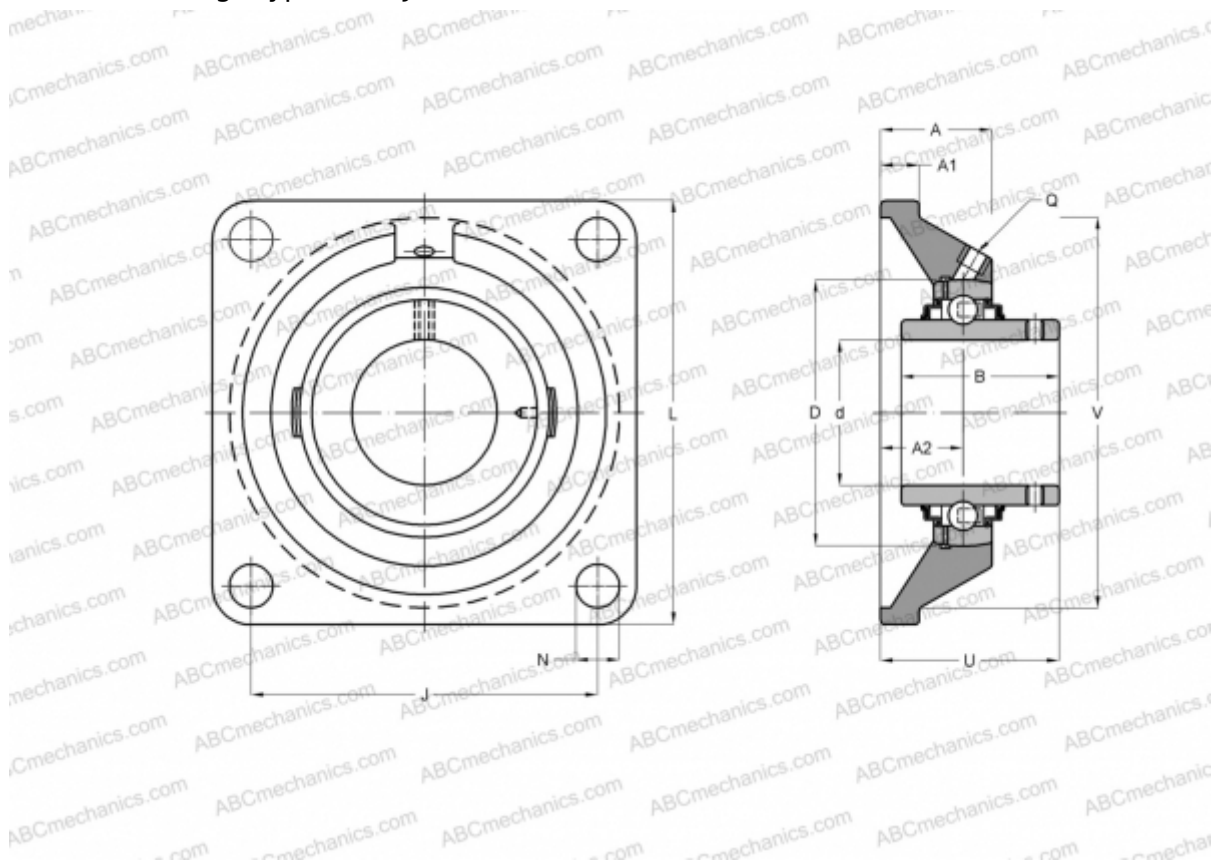


## FY 5/8 TF SKF

Ball bearing units

TYPE: Housing units, Four-bolt flanged housing units, Cast iron housing, Radial insert ball bearing with grub screws in inner ring, Type FY/FYJ/FYM..TF (SKF), inch



### Technical specification

#### DIMENSIONS, MM

|    |        |
|----|--------|
| d  | 15,875 |
| D  | 40,000 |
| B  | 27,400 |
| L  | 76,200 |
| A  | 23,400 |
| J  | 54,000 |
| A1 | 9,900  |
| A2 | 14,700 |
| U  | 30,600 |

**WEIGHT, KG** 0,950

|         |              |
|---------|--------------|
| Bearing | YAR 203-010- |
| Housing | FY 503 U     |

#### MANUFACTURER

[SKF](#)

#### CALCULATION DATA

|                              |            |
|------------------------------|------------|
| Basic dynamic load rating, C | 9,560 kN   |
| Basic static load rating, Co | 4,750 kN   |
| Fatigue load limit, Pu       | 0,200 kN   |
| Limiting speed               | 9500 r/min |