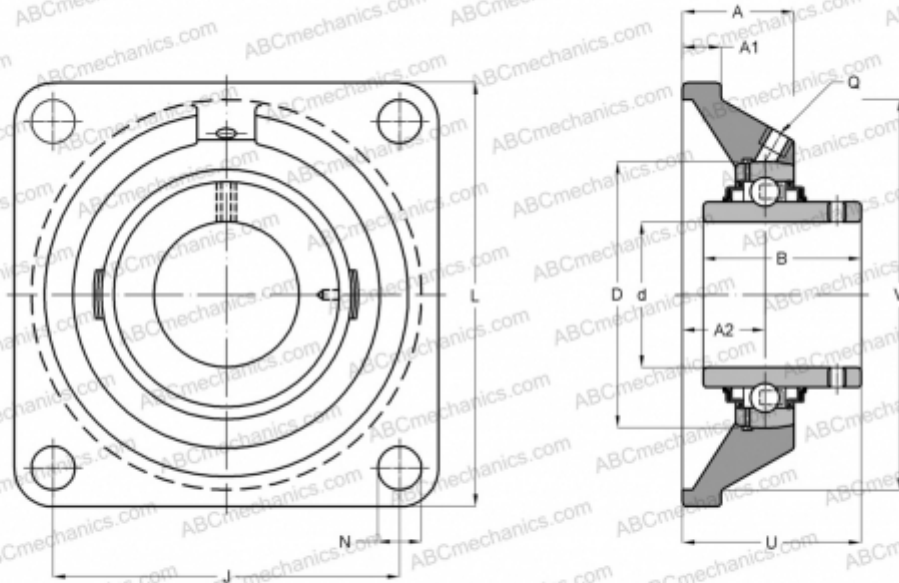


FY 3/4 TF SKF

Ball bearing units

TYPE: Housing units, Four-bolt flanged housing units, Cast iron housing, Radial insert ball bearing with grub screws in inner ring, Type FY/FYJ/FYM..TF (SKF), inch



Technical specification

DIMENSIONS, MM

d	19,050
D	47,000
B	31,000
L	86,000
A	29,500
J	63,500
A1	11,000
A2	19,000
U	37,300

WEIGHT, KG 0,610

Bearing	YAR 204-012-
Housing	FY 504 M

MANUFACTURER

[SKF](#)

CALCULATION DATA

Basic dynamic load rating, C	12,700 kN
Basic static load rating, Co	6,550 kN
Fatigue load limit, Pu	0,280 kN
Limiting speed	8500 r/min