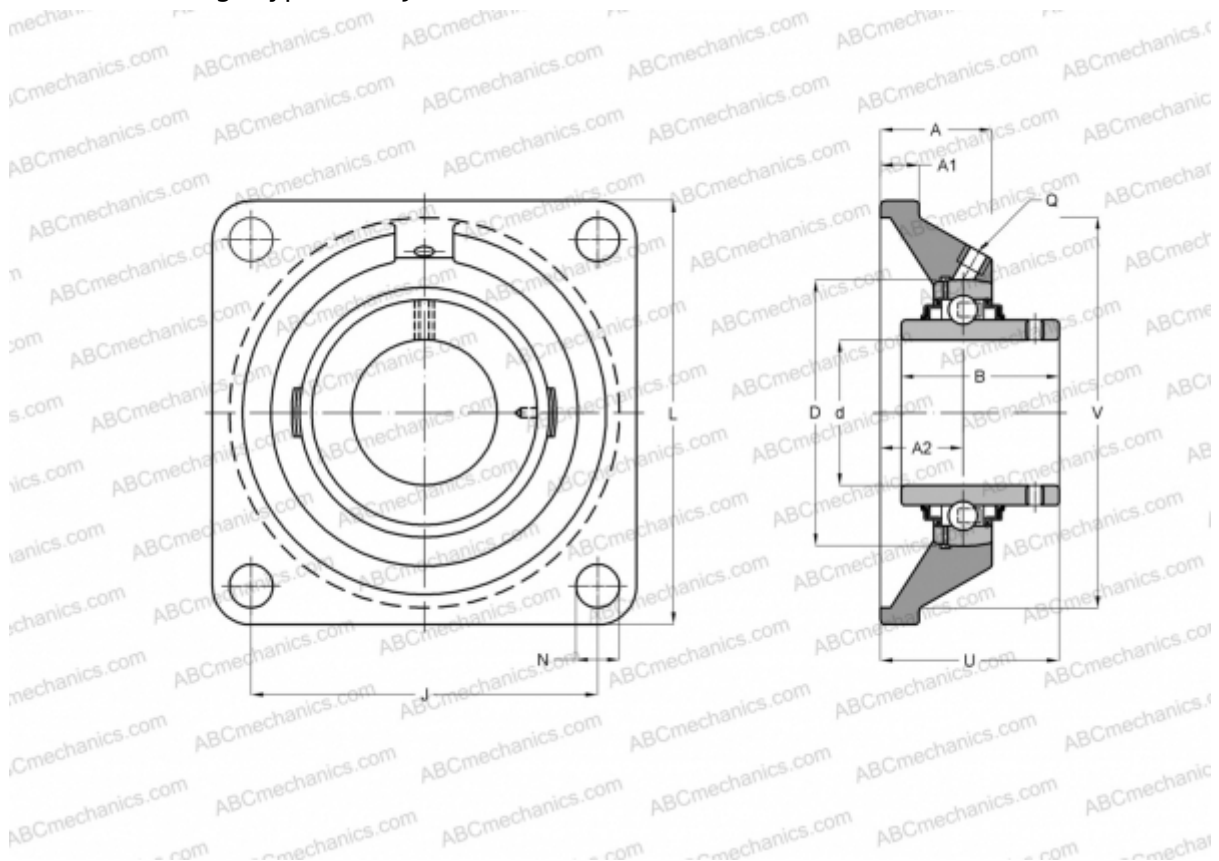


## FY 1. TF SKF

Ball bearing units

TYPE: Housing units, Four-bolt flanged housing units, Cast iron housing, Radial insert ball bearing with grub screws in inner ring, Type FY/FYJ/FYM..TF (SKF), inch



### Technical specification

#### DIMENSIONS, MM

|    |        |
|----|--------|
| d  | 25,400 |
| D  | 52,000 |
| B  | 34,100 |
| L  | 95,000 |
| A  | 30,000 |
| J  | 70,000 |
| A1 | 12,000 |
| A2 | 19,000 |
| U  | 38,800 |

**WEIGHT, KG** 0,770

|         |              |
|---------|--------------|
| Bearing | YAR 205-100- |
| Housing | FY 505 M     |

#### MANUFACTURER

[SKF](#)

#### CALCULATION DATA

|                              |            |
|------------------------------|------------|
| Basic dynamic load rating, C | 14,000 kN  |
| Basic static load rating, Co | 7,800 kN   |
| Fatigue load limit, Pu       | 0,335 kN   |
| Limiting speed               | 7000 r/min |