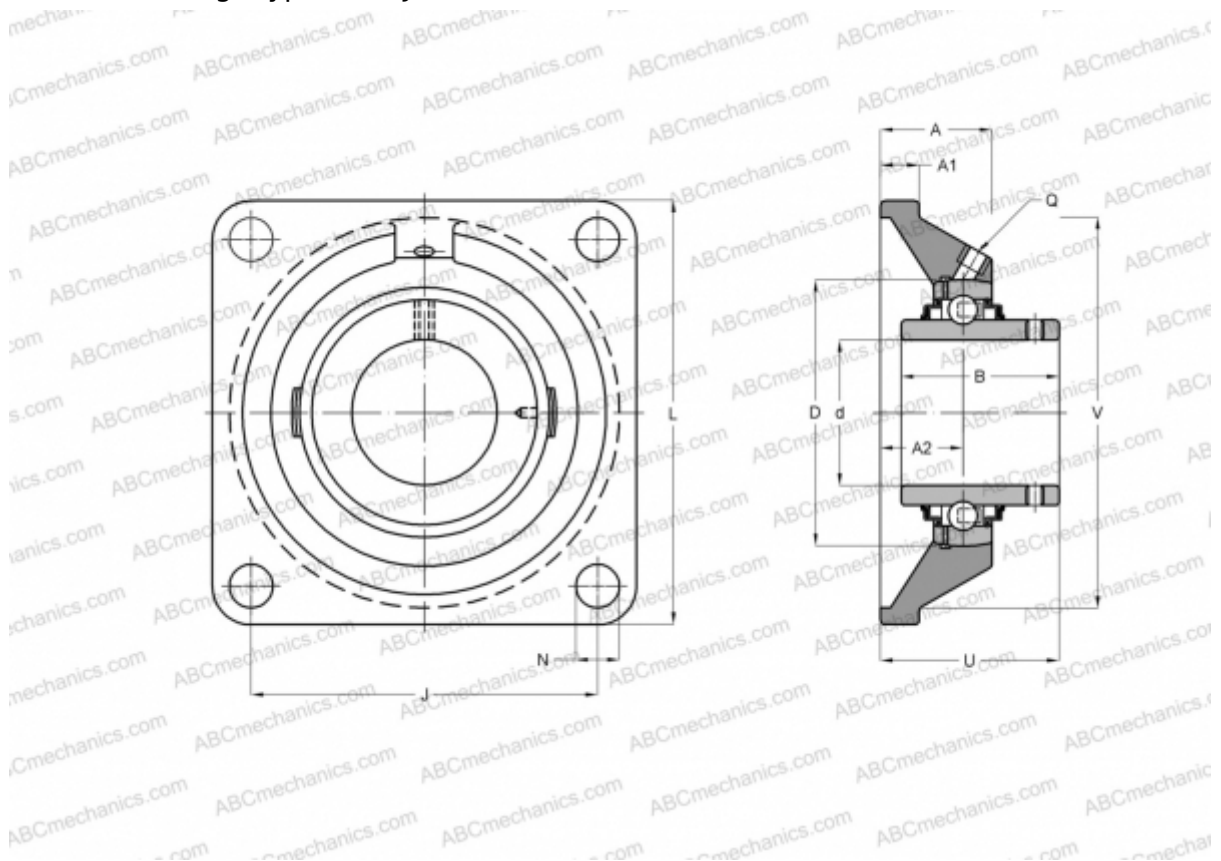


FYJ 1. TF SKF

Ball bearing units

TYPE: Housing units, Four-bolt flanged housing units, Cast iron housing, Radial insert ball bearing with grub screws in inner ring, Type FY/FYJ/FYM..TF (SKF), inch



Technical specification

DIMENSIONS, MM

d	25,400
D	52,000
B	34,100
L	95,000
A	27,000
J	70,000
A1	14,000
A2	16,000
U	35,800

WEIGHT, KG 0,860

Bearing	YAR 205-100-
Housing	FYJ 505

MANUFACTURER

[SKF](#)

CALCULATION DATA

Basic dynamic load rating, C	14,000 kN
Basic static load rating, Co	7,800 kN
Fatigue load limit, Pu	0,335 kN
Limiting speed	7000 r/min