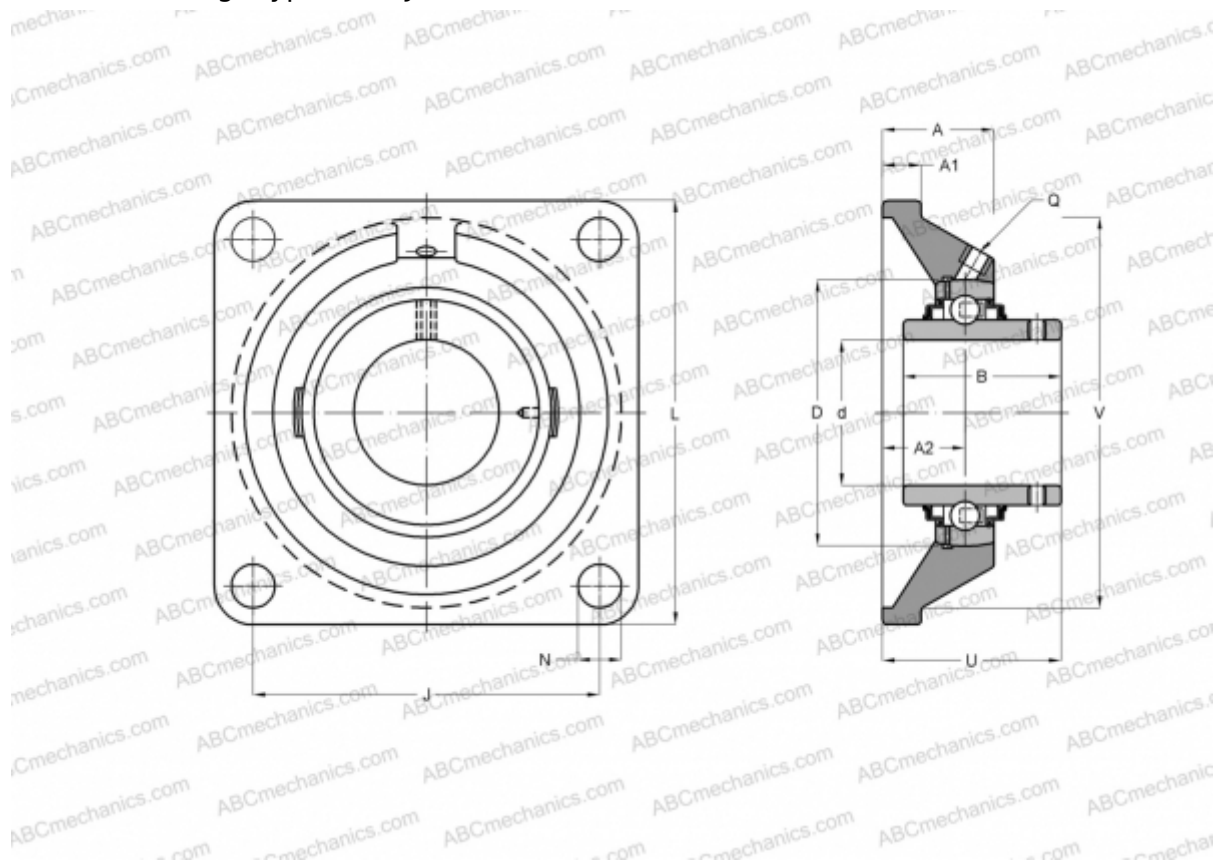


## FY 1.1/16 TF SKF

Ball bearing units

TYPE: Housing units, Four-bolt flanged housing units, Cast iron housing, Radial insert ball bearing with grub screws in inner ring, Type FY/FYJ/FYM..TF (SKF), inch



### Technical specification

#### DIMENSIONS, MM

d	26,988
D	62,000
B	38,100
L	108,000
A	32,500
J	82,500
A1	13,000
A2	20,000
U	42,200

#### WEIGHT, KG

1,100

Bearing	YAR 206-101-
Housing	FY 506 U

#### MANUFACTURER

[SKF](#)

#### CALCULATION DATA

Basic dynamic load rating, C	19,500 kN
Basic static load rating, Co	11,200 kN
Fatigue load limit, Pu	0,475 kN
Limiting speed	6300 r/min