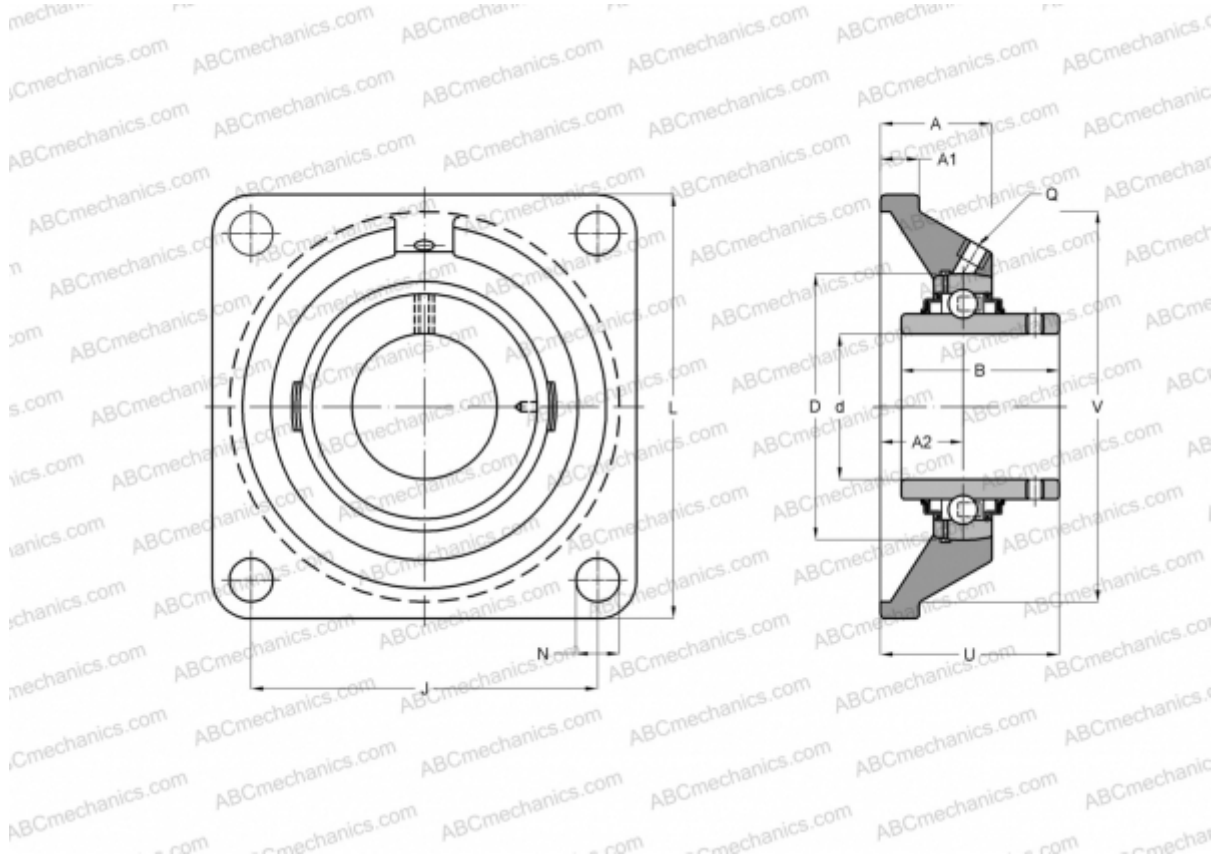


## FYM 2.7/16 TF SKF

Ball bearing units

TYPE: Housing units, Four-bolt flanged housing units, Cast iron housing, Radial insert ball bearing with grub screws in inner ring, Type FY/FYJ/FYM..TF (SKF), inch



### Technical specification

#### DIMENSIONS, MM

d	61,913
D	125,000
B	69,600
L	187,500
A	57,150
J	149,300
A1	17,500
A2	36,500
U	76,200

**WEIGHT, KG** 6,000

Bearing	YAR 214-207-
Housing	FY 514 U

#### MANUFACTURER

[SKF](#)

#### CALCULATION DATA

Basic dynamic load rating, C	62,400 kN
Basic static load rating, Co	44,000 kN
Fatigue load limit, Pu	1,860 kN
Limiting speed	2800 r/min