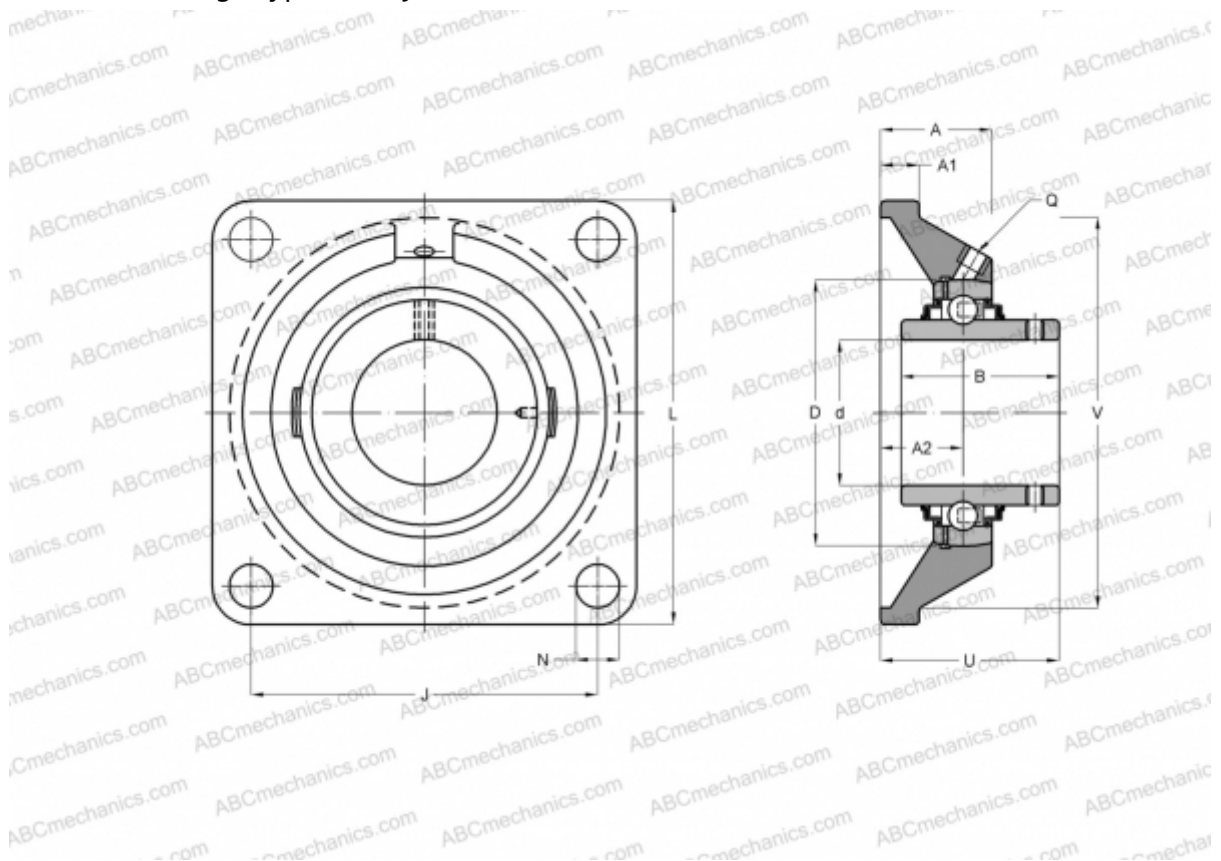


FY 2.1/2 TF SKF

Ball bearing units

TYPE: Housing units, Four-bolt flanged housing units, Cast iron housing, Radial insert ball bearing with grub screws in inner ring, Type FY/FYJ/FYM..TF (SKF), inch



Technical specification

DIMENSIONS, MM

d	63,500
D	120,000
B	68,300
L	187,000
A	52,500
J	149,500
A1	17,000
A2	34,000
U	76,900

WEIGHT, KG 5,400

Bearing	YAR 213-208-
Housing	FY 513 M

MANUFACTURER

[SKF](#)

CALCULATION DATA

Basic dynamic load rating, C	57,200 kN
Basic static load rating, Co	40,000 kN
Fatigue load limit, Pu	1,700 kN
Limiting speed	3000 r/min