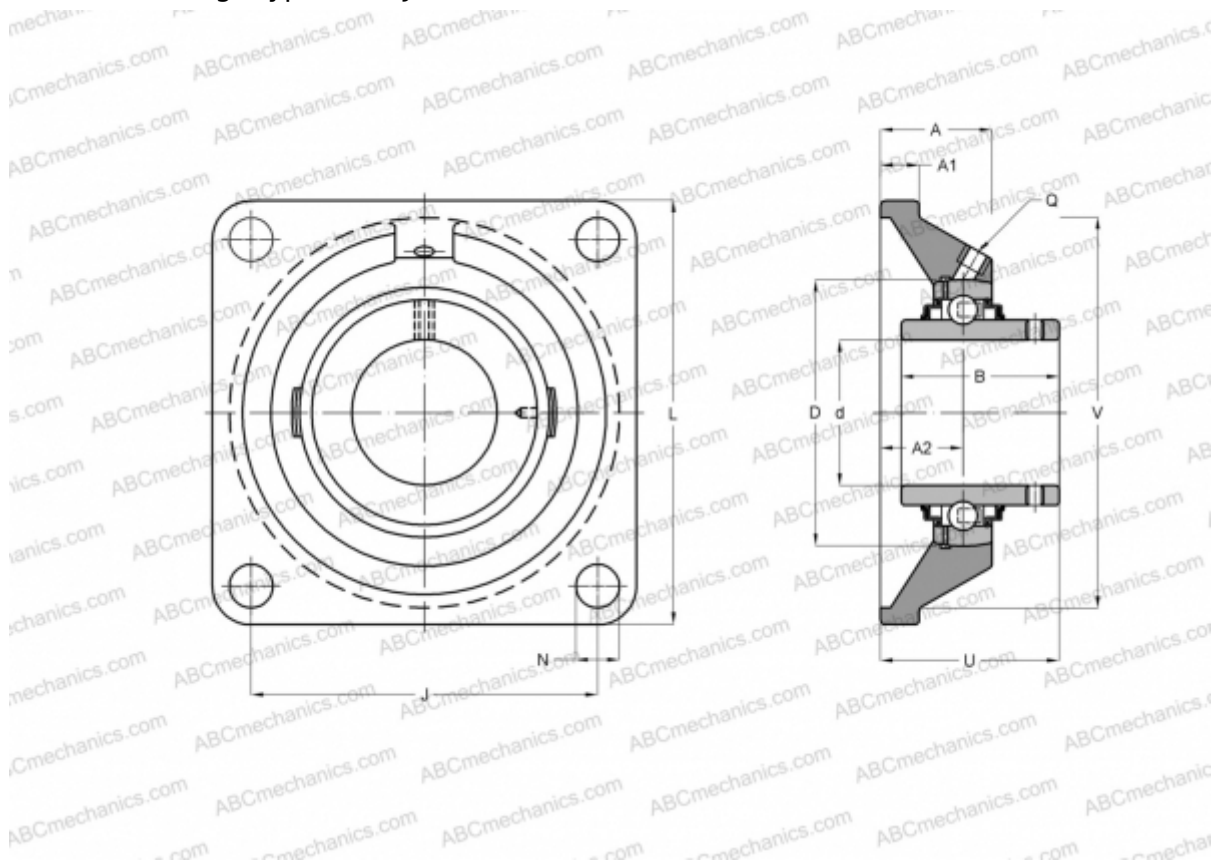


## FY 2.15/16 TF SKF

Ball bearing units

TYPE: Housing units, Four-bolt flanged housing units, Cast iron housing, Radial insert ball bearing with grub screws in inner ring, Type FY/FYJ/FYM..TF (SKF), inch



### Technical specification

#### DIMENSIONS, MM

d	74,613
D	130,000
B	73,100
L	197,000
A	65,100
J	152,400
A1	19,000
A2	41,300
U	87,400

**WEIGHT, KG** 8,150

Bearing	YAR 215-215-
Housing	FY 515 U

#### MANUFACTURER

[SKF](#)

#### CALCULATION DATA

Basic dynamic load rating, C	66,300 kN
Basic static load rating, Co	49,000 kN
Fatigue load limit, Pu	2,040 kN
Limiting speed	2600 r/min