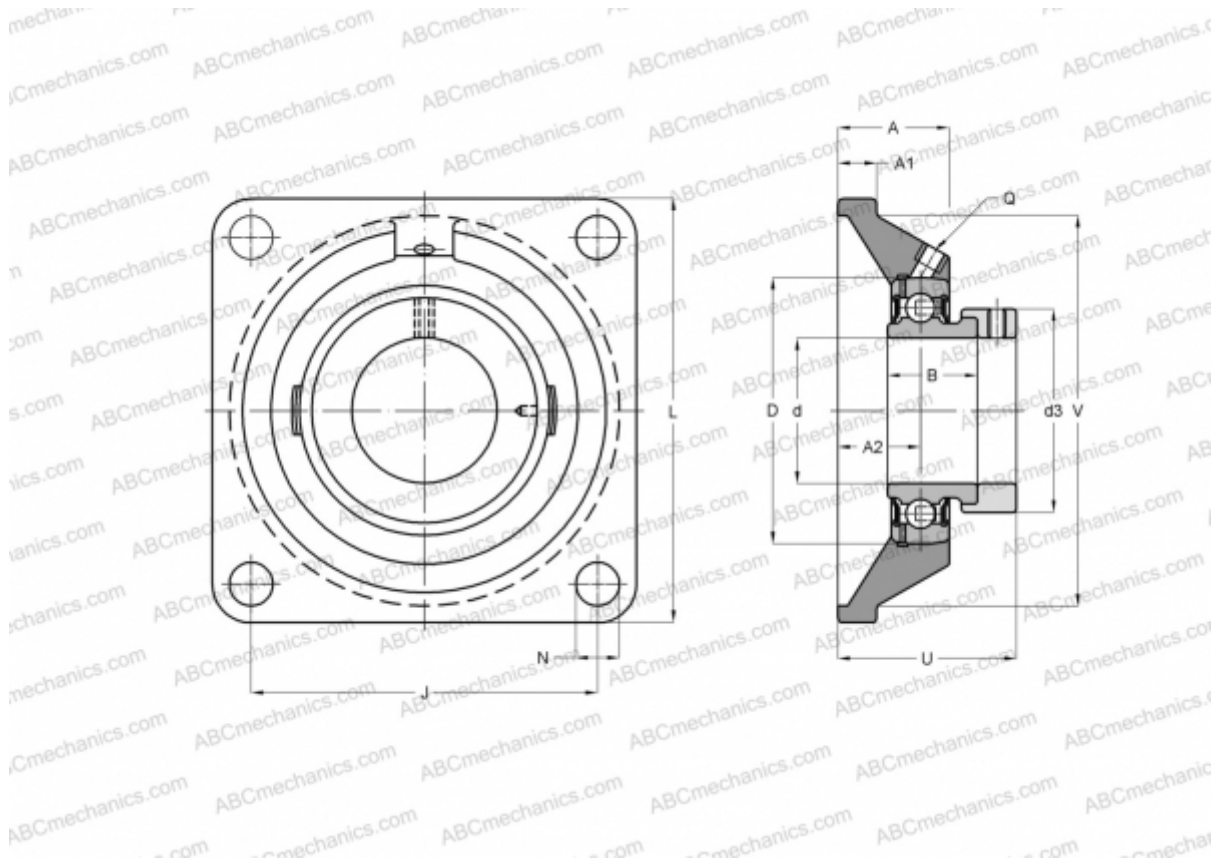


## FY 15 FM SKF

Ball bearing units

TYPE: Housing units, Four-bolt flanged housing units, Cast iron housing, Radial insert ball bearing with eccentric locking collar, Type FY..FM (SKF)



### Technical specification

#### DIMENSIONS, MM

d	15,000
D	40,000
B	28,600
L	76,000
A	26,000
J	54,000
A1	11,000
A2	17,000
N	11,500
d3	27,200
U	39,100
V	55,600

**WEIGHT, KG** 0,470

Bearing	YET 203/15
Housing	FY 503 M

#### MANUFACTURER

[SKF](#)

#### CALCULATION DATA

Basic dynamic load rating, C	9,560 kN
Basic static load rating, Co	4,750 kN
Fatigue load limit, Pu	0,200 kN
Limiting speed	9500 r/min