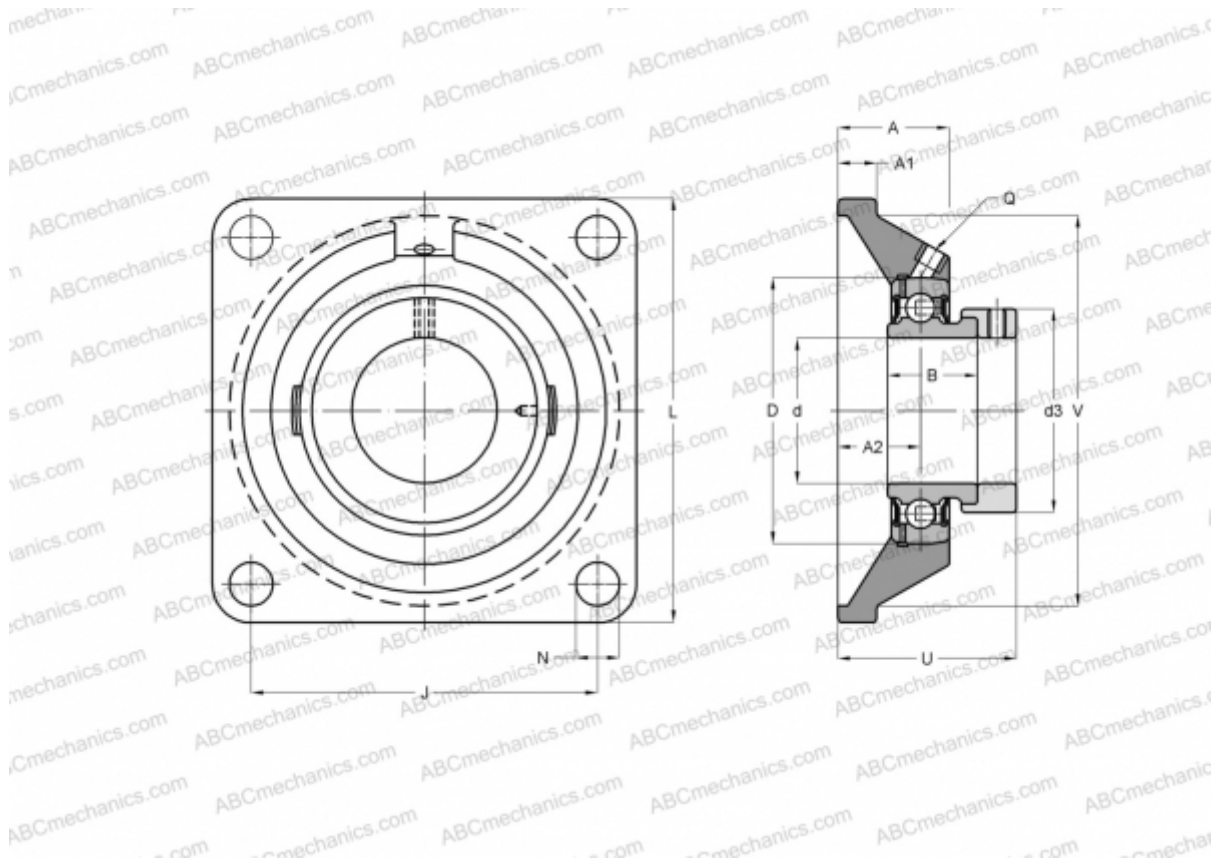


FY 45 FM SKF

Ball bearing units

TYPE: Housing units, Four-bolt flanged housing units, Cast iron housing, Radial insert ball bearing with eccentric locking collar, Type FY..FM (SKF)



Technical specification

DIMENSIONS, MM

| | |
|----|---------|
| d | 45,000 |
| D | 85,000 |
| B | 43,700 |
| L | 137,000 |
| A | 39,000 |
| J | 105,000 |
| A1 | 14,000 |
| A2 | 24,000 |
| N | 16,000 |
| d3 | 62,000 |
| U | 56,700 |
| V | 119,100 |

WEIGHT, KG 2,150

| | |
|------------------|----------|
| Bearing | YET 209 |
| Housing | FY 509 M |
| Protective cover | ECY 209 |

MANUFACTURER

[SKF](https://www.skf.com)

CALCULATION DATA

| | |
|------------------------------|------------|
| Basic dynamic load rating, C | 33,200 kN |
| Basic static load rating, Co | 21,600 kN |
| Fatigue load limit, Pu | 0,915 kN |
| Limiting speed | 4300 r/min |