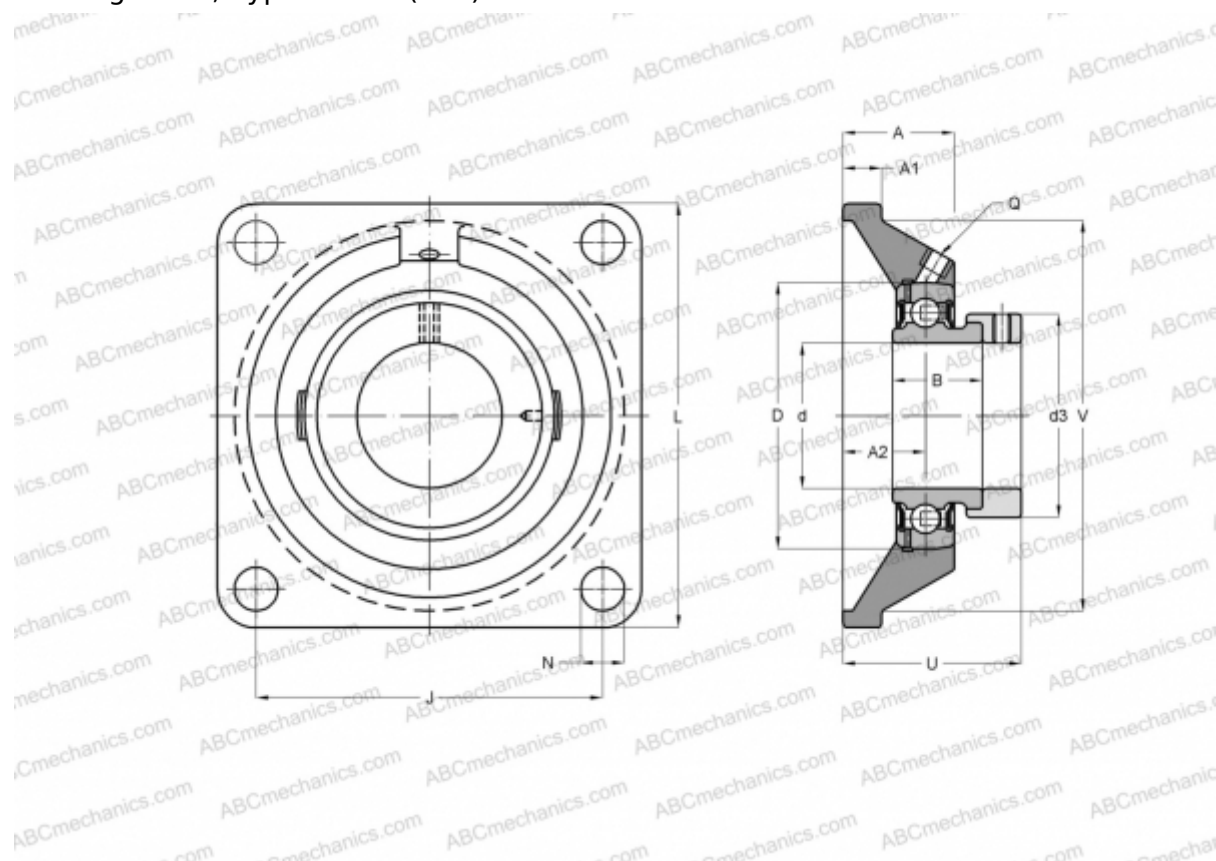


FY 60 FM SKF

Ball bearing units

TYPE: Housing units, Four-bolt flanged housing units, Cast iron housing, Radial insert ball bearing with eccentric locking collar, Type FY..FM (SKF)



Technical specification

DIMENSIONS, MM

d	60,000
D	110,000
B	53,100
L	175,000
A	52,000
J	143,000
A1	17,000
A2	34,000
N	18,000
d3	82,000
U	73,600
V	161,900

WEIGHT, KG 4,700

Bearing	YET 212
Housing	FY 512 M
Protective cover	ECY 212

MANUFACTURER

[SKF](#)

CALCULATION DATA

Basic dynamic load rating, C	52,700 kN
Basic static load rating, Co	36,000 kN
Fatigue load limit, Pu	1,530 kN
Limiting speed	3400 r/min