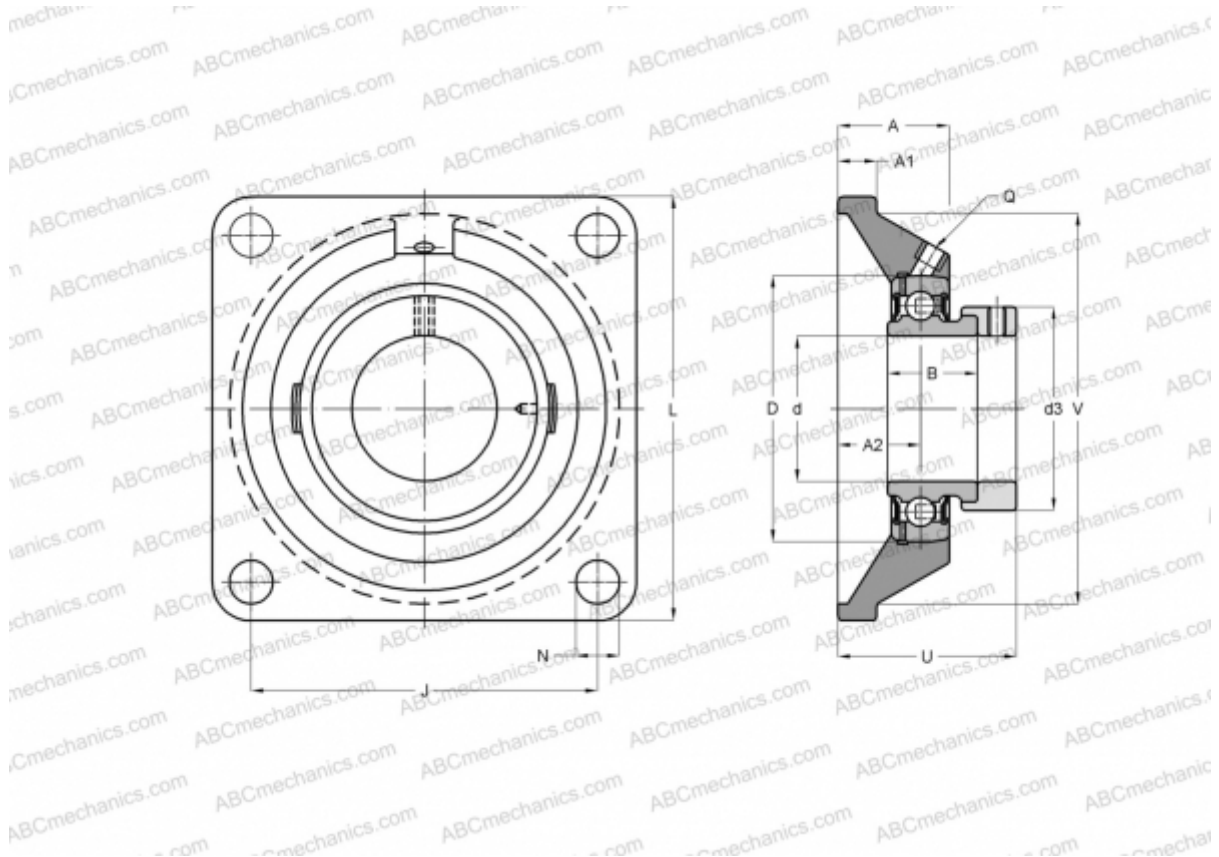


FY 3/4 FM SKF

Ball bearing units

TYPE: Housing units, Four-bolt flanged housing units, Cast iron housing, Radial insert ball bearing with eccentric locking collar, Type FY..FM (SKF), inch



Technical specification

DIMENSIONS, MM

d	19,050
D	47,000
B	31,000
L	86,000
A	29,500
J	63,500
A1	11,000
A2	19,000
d3	32,400
U	42,500

WEIGHT, KG

0,630

Bearing	YET 204-012
Housing	FY 504 U

MANUFACTURER

[SKF](#)

CALCULATION DATA

Basic dynamic load rating, C	12,700 kN
Basic static load rating, Co	6,550 kN
Fatigue load limit, Pu	0,280 kN
Limiting speed	8500 r/min