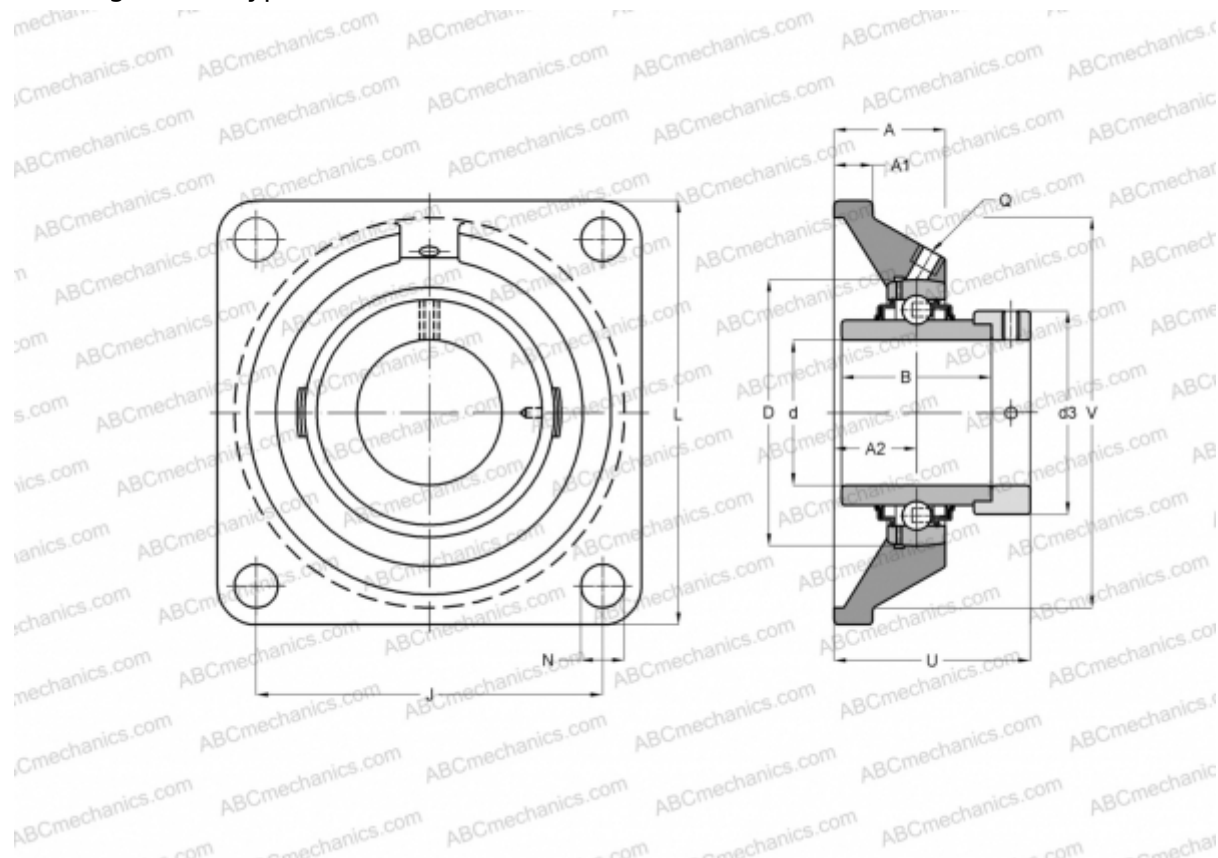


FY 1.1/4 WF SKF

Ball bearing units

TYPE: Housing units, Four-bolt flanged housing units, Cast iron housing, Radial insert ball bearing with eccentric locking collar, Type FY..WF (SKF), inch



Technical specification

DIMENSIONS, MM

| | |
|----|---------|
| d | 31,750 |
| D | 72,000 |
| B | 51,100 |
| L | 118,000 |
| A | 34,500 |
| J | 92,000 |
| A1 | 13,000 |
| A2 | 21,000 |
| d3 | 51,100 |
| U | 53,300 |

WEIGHT, KG

1,600

| | |
|---------|----------------|
| Bearing | YEL 207-104-2F |
| Housing | FY 507 U |

MANUFACTURER

[SKF](#)

CALCULATION DATA

| | |
|------------------------------|------------|
| Basic dynamic load rating, C | 25,500 kN |
| Basic static load rating, Co | 15,300 kN |
| Fatigue load limit, Pu | 0,655 kN |
| Limiting speed | 5300 r/min |